

GFMJ(OPzV)

VRLA Gel Battery
GFMJ-1500



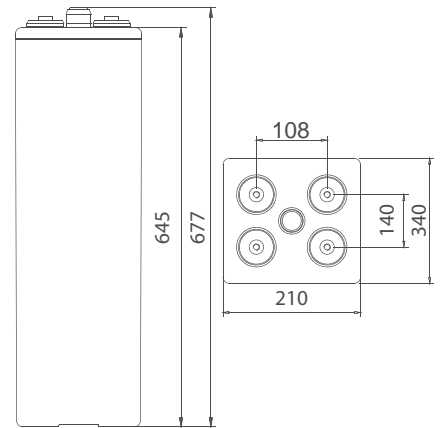
Main Applications

- Deep cycling energy storage application
- Solar & wind energy storage system
- Off-grid & bad-grid hybrid sites
- Floating applications for telecom sites

Benefits

- Long life design for cyclic or float application
- Excellent charge acceptability and deep cycling performance
- Excellent over discharge recovery capability
- Superior charging & discharging ability in low current
- Extend service life under high temperature

Dimensions



Technical Parameters

Nominal Voltage	2 V
Capacity	1500 Ah @ 10hr to 1.80 V @ 25°C(77°F)
Weight	111.0kg (244.71 lbs)
Dimensions	Length: 340 mm(13.39 in) Width: 210 mm(8.27 in) Height: 645 mm(25.39 in) Total height: 677 mm(26.65 in)
Internal Resistance (full charged)	0.23 mΩ @ 25°C(77°F)
Short-circuit Current	8873 A
Self Discharge @25°C(77°F)	Less than 30% after 180 days storage
Operating Temperature Range	Discharge: -20°C ~ 50°C(-4°F ~ 122°F) Charge: -20°C ~ 50°C(-4°F ~ 122°F) Storage: 5°C ~ 40°C(41°F ~ 104°F)
Recommended Operating Temperature	20°C ~ 25°C (68°F ~ 77°F)
Recommended Charging Current	225 A
Charging Voltage @25°C(77°F)	Float: 2.23 V/cell Equalize: 2.35 V/cell
Terminal	M10
Container Materials	ABS/ABS V0 (Optional)
Capacity Affected by Temperature (C ₁₀)	105% @ 40°C(104°F) 74% @ 0°C(32°F) 50% @ -20°C(-40°F)
Design life @25°C(77°F)	20 years

Certification

- ISO 9001: 2008
- ISO 14001: 2004
- GB/T 28001- 2011
- UL
- CE

Technical Features

- According to DIN-40742 standards, design life of 20 years
- Tubular plate & special gel electrolyte, which can prevent active material falling and avoid acid stratification
- High stability and security, millions of batteries are in service
- Higher thermal capacity & better thermal diffusivity

GFMJ(OPzV)

VRLA Gel Battery
GFMJ-1500



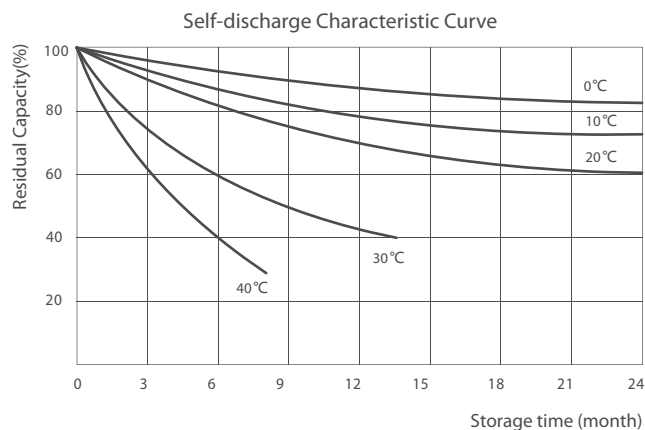
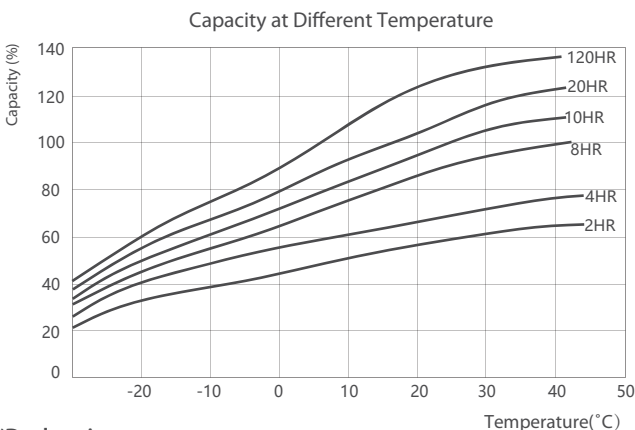
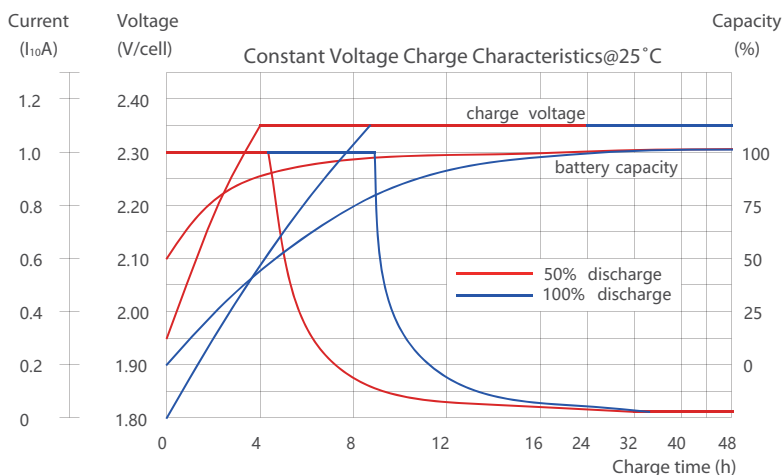
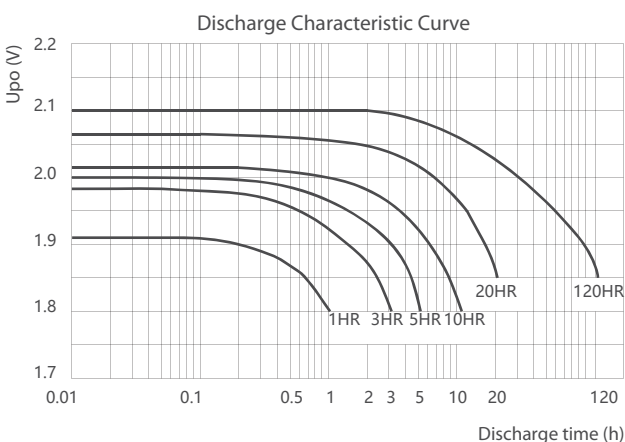
Constant Current Discharge Characteristics Unit: A (25°C, 77°F)

F.V/Time	1hr	2hr	3hr	4hr	5hr	6hr	8hr	10hr	12hr	20hr	100hr	120hr
1.80V	725	496	375	305	260	225	180	150	131	82.5	--	--
1.83V	670	460	365	300	253	218	172	144	126	81	--	--
1.85V	625	430	347	277	236	207	166	139	117	78.7	18.7	15.9
1.87V	550	400	330	274	233	204	157.5	134	114	75.7	18	15.0
1.90V	512	375	290	248.5	211.5	184	150	127.5	111	72.5	17	14.0

Constant Power Discharge Characteristics Unit: W/cell (25°C, 77°F)

F.V/Time	1hr	2hr	3hr	4hr	5hr	6hr	8hr	10hr	12hr	20hr	100hr	120hr
1.80V	1325	915	687	565	485	420	350	290	250	153	--	--
1.83V	1240	860	675	560	470	415	335	280	245	152.5	--	--
1.85V	1175	815	655	535	450	405	325	270	236	150	37	31
1.87V	1050	700	600	510	446	393	310	260	223	147.5	35	30
1.90V	988	655	540	460	400	357	290	247.5	217	140	33	28

Performance Curve



*Declaration:

This information is generally descriptive only and is not intended to make or imply any representation, guarantee or warranty with respect to any cells and batteries. Cell and battery designs/specifications are subject to modification without notice. Contact CHINASHOTO for the latest information.

Welcome to Visit : www.chinashoto.com