

GFMJ(OPzV)

VRLA Gel Battery
GFMJ-1200



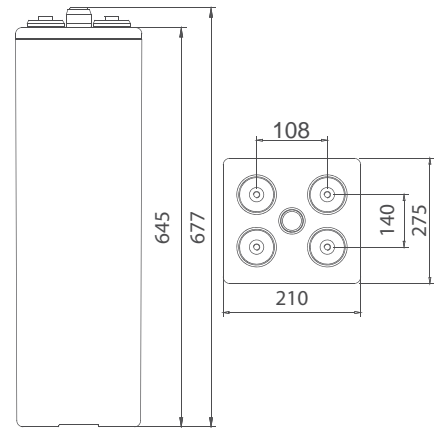
Main Applications

- Deep cycling energy storage application
- Solar & wind energy storage system
- Off-grid & bad-grid hybrid sites
- Floating applications for telecom sites

Benefits

- Long life design for cyclic or float application
- Excellent charge acceptability and deep cycling performance
- Excellent over discharge recovery capability
- Superior charging & discharging ability in low current
- Extend service life under high temperature

Dimensions



Technical Parameters

Nominal Voltage	2 V
Capacity	1200 Ah @ 10hr to 1.80 V @ 25°C(77°F)
Weight	91.0 kg (200.62 lbs)
Dimensions	Length:275 mm(10.83 in) Width:210 mm(8.27 in) Height:645 mm(25.39 in) Total height:677 mm(26.65 in)
Internal Resistance (full charged)	0.24 mΩ @ 25°C(77°F)
Short-circuit Current	8314 A
Self Discharge @25°C(77°F)	Less than 30% after 180 days storage
Operating Temperature Range	Discharge: -20°C ~ 50°C(-4°F ~ 122°F) Charge: -20°C ~ 50°C(-4°F ~ 122°F) Storage: 5°C ~ 40°C(41°F ~ 104°F)
Recommended Operating Temperature	20°C ~ 25°C (68°F ~ 77°F)
Recommended Charging Current	180 A
Charging Voltage @25°C(77°F)	Float: 2.23 V/cell Equalize: 2.35 V/cell
Terminal	M10
Container Materials	ABS/ABS V0 (Optional)
Capacity Affected by Temperature (C ₁₀)	105% @ 40°C(104°F) 74% @ 0°C(32°F) 50% @ -20°C(-40°F)
Design life @25°C(77°F)	20 years

Certification

- ☑ ISO 9001: 2008
- ☑ ISO 14001: 2004
- ☑ GB/T 28001- 2011
- ☑ UL
- ☑ CE

Technical Features

- According to DIN-40742 standards, design life of 20 years
- Tubular plate & special gel electrolyte, which can prevent active material falling and avoid acid stratification
- High stability and security, millions of batteries are in service
- Higher thermal capacity & better thermal diffusivity

GFMJ(OPzV)

VRLA Gel Battery
GFMJ-1200



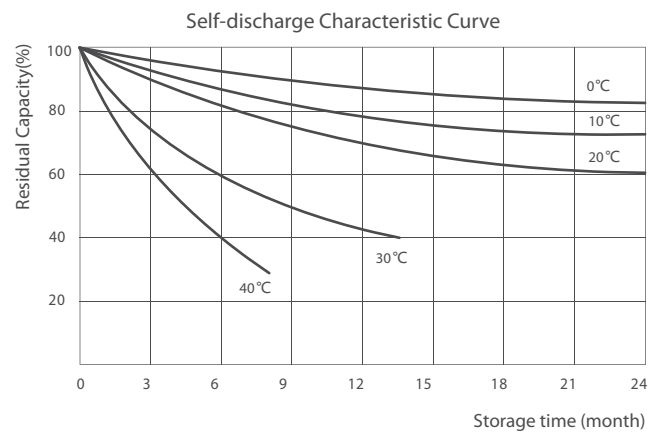
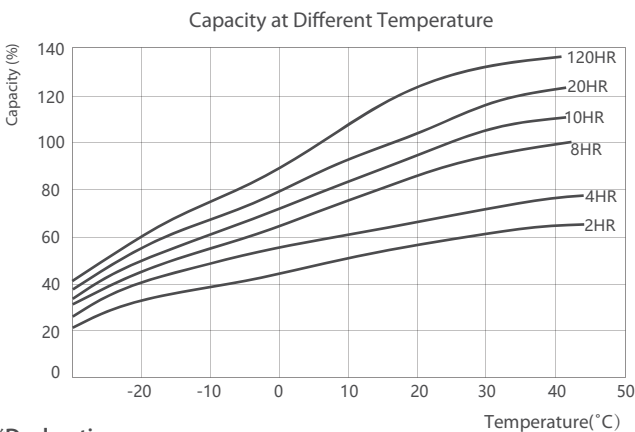
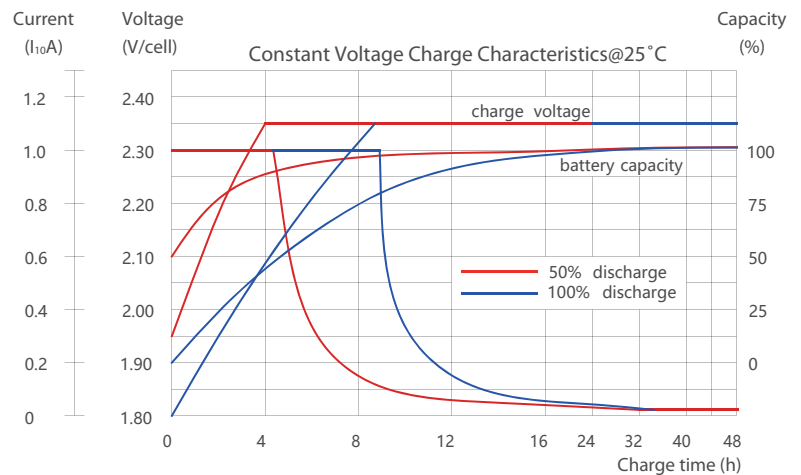
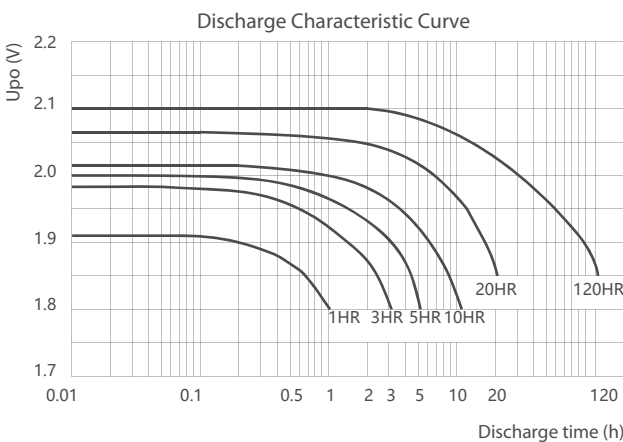
Constant Current Discharge Characteristics Unit: A (25°C, 77°F)

F.V/Time	1hr	2hr	3hr	4hr	5hr	6hr	8hr	10hr	12hr	20hr	100hr	120hr
1.80V	580	398	300	245	208	180	144	120	106	66	--	--
1.83V	540	366	292	240	203	175	140	116	103	64.8	--	--
1.85V	500	344	282	233	194	171	132	113	98	63	15.2	12.5
1.87V	440	330	265	220	185	166	126	107	94	60	14.6	12.0
1.90V	410	304	234	204	178	160	121	100	90	59	13.6	11.5

Constant Power Discharge Characteristics Unit: W/cell (25°C, 77°F)

F.V/Time	1hr	2hr	3hr	4hr	5hr	6hr	8hr	10hr	12hr	20hr	100hr	120hr
1.80V	1060	735	555	454	390	340	284	240	200	123	--	--
1.83V	1000	680	545	450	380	334	274	230	196	122	--	--
1.85V	940	650	530	440	370	326	262	220	192	120	30	25
1.87V	840	630	505	420	355	318	250	210	186	118	29	24
1.90V	790	584	450	392	345	306	240	198	179	115	27	23

Performance Curve



*Declaration:

This information is generally descriptive only and is not intended to make or imply any representation, guarantee or warranty with respect to any cells and batteries. Cell and battery designs/specifications are subject to modification without notice. Contact CHINASHOTO for the latest information.

Welcome to Visit : www.chinashoto.com