

LCH Series

High Power Valve-Regulated Lead-Carbon Battery
LC-12-250H



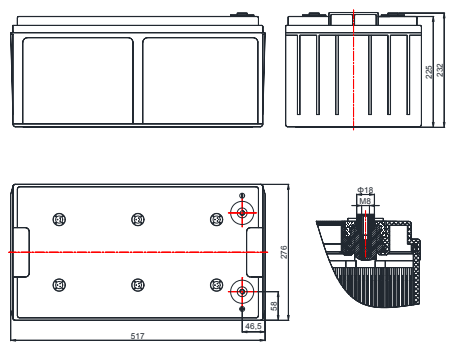
Main Applications

- ▣ IDC and UPS
- ▣ High power & large current application scenarios
- ▣ Backup power for high precision device
- ▣ Emergency lighting, navigation lights

Benefits

- ▣ Designed life of 12 years
- ▣ Low annual operating cost
- ▣ High security, reliability and stability
- ▣ Specifically designed for high power & large current application scenarios with superior high rate, short term power

Dimensions :



Technical Parameters

Nominal Voltage	12 V
Capacity	250 Ah @ 10hr to 1.80V per cell @ 25°C (77°F)
Weight	Approx. 83 kg (182.98 lbs)
Dimensions	Length: 517 mm Width: 276 mm Height: 225 mm Total Height: 232 mm
Internal Resistance (full charged)	Approx. 2.0 mΩ@ 25°C(77°F)
Maximum Discharge Current	1550 A (5sec)
Self Discharge @ 25°C (77°F)	Less than 4% after 30 days storage
Operating Temperature Range	Discharge: -40°C~50°C(-40°F~122°F) Charge: -20°C~45°C(-4°F~113°F) Storage:-20°C~40°C(-4°F~104°F)
Recommended Operating Temperature	15°C~25°C (59°F~77°F)
Maximum Charging Current Limited	50 A
Charging Voltage @25°C(77°F)	Float: 2.25 V/cell, Temps coefficient -3 mV/°C Equalize: 2.35 V/cell
Terminal	M8
Container Materials	ABS/ABS V0 (Optional)
Capacity Affected by Temperature	105% @ 40°C(104°F) 85% @ 0°C(32°F) 60% @ -20°C(-4°F)
Design Life @25°C(77°F)	12 years

Attain Certificate :

- ISO9001
- ISO14001
- ISO18001

Technical Features

- ▣ Adopt lead carbon technology
- ▣ Lower internal resistance and voltage drop, suited for high rate discharge applications and high efficient UPS
- ▣ Lower self-discharge rate, better charge acceptability and higher sealing reaction efficiency
- ▣ Exquisite craftsmanship and good coherence of internal resistance, capacity
- ▣ Multi-layer seal technology and special seal glue, no leakage and no acid mist escape, safe and reliable

LCH Series

High Power Valve-Regulated Lead-Carbon Battery
LC-12-250H



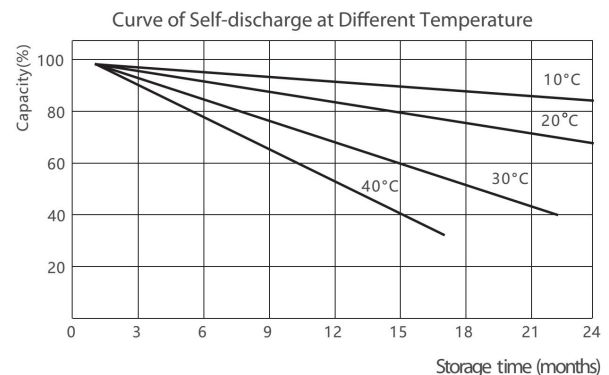
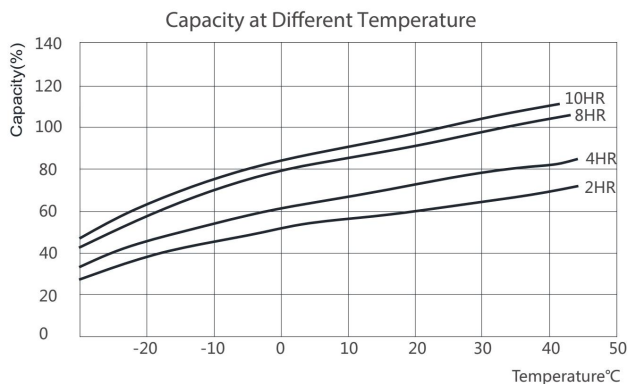
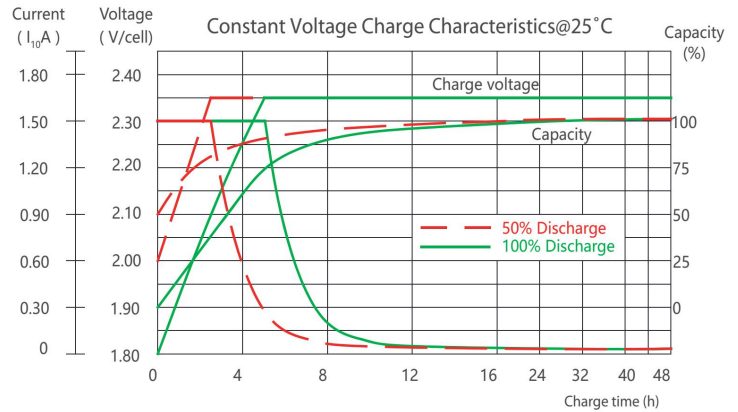
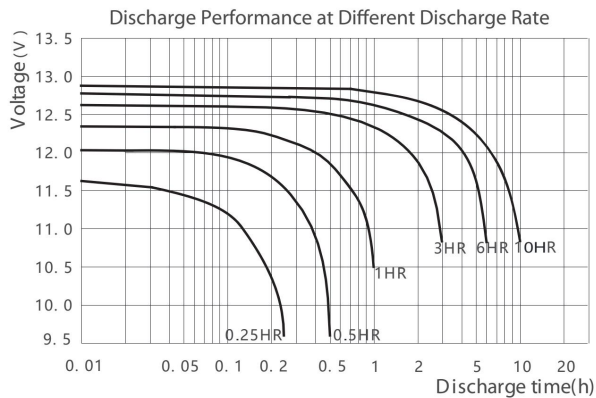
Constant Current Discharge Characteristics Unit: A (25°C, 77°F)

F.V/Time	5min	10min	15min	20min	30min	1hr	1.5hr	2hr	2.5hr	3hr	10hr
1.85V/cell	510	405	344	272	221	131	98.8	86.3	73.7	62.1	25.0
1.80V/cell	541	440	400	316	238	138	104	88.2	75.1	63.3	25.3
1.75V/cell	585	475	434	343	266	143	106	89.2	76.1	64.0	25.5
1.70V/cell	628	502	458	362	281	150	109	90.4	77.1	64.9	25.8
1.67V/cell	668	510	476	376	291	151	111	92.7	79.1	65.2	25.9
1.60V/cell	693	528	484	382	299	154	113	93.6	80.1	65.9	26.0

Constant Power Discharge Characteristics Unit: W/cell (25°C, 77°F)

F.V/Time	5min	10min	15min	20min	30min	1hr	1.5hr	2hr	2.5hr	3hr	10hr
1.85V/cell	976	799	719	575	427	252	187	155	134	118	49.7
1.80V/cell	1021	848	795	625	452	259	194	160	136	119	50.8
1.75V/cell	1087	907	845	681	512	268	196	164	137	121	51.0
1.70V/cell	1168	968	900	708	522	276	198	168	138	124	51.9
1.67V/cell	1202	989	910	720	525	281	202	170	139	126	52.1
1.60V/cell	1238	1000	917	726	530	286	204	173	140	127	52.3

Performance Curve



Declaration: This information is generally descriptive only and is not intended to make or imply any representation, guarantee or warranty with respect to any cells and batteries. Cell and battery designs/specifications are subject to modification without notice. Contact CHINASHOTO for the latest information.

Welcome to Visit: www.chinashoto.com