

LCH Series

High Power Valve-Regulated Lead-Carbon Battery
LC-12-120H



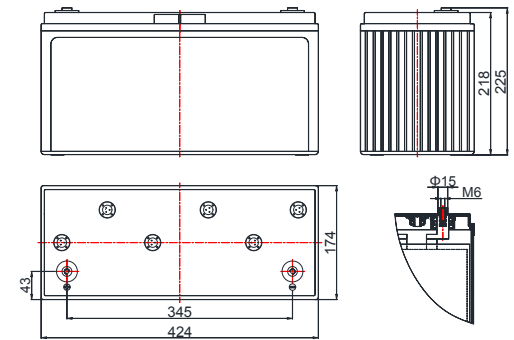
Main Applications

- ▣ IDC and UPS
- ▣ High power & large current application scenarios
- ▣ Backup power for high precision device
- ▣ Emergency lighting, navigation lights

Benefits

- ▣ Designed life of 12 years
- ▣ Low annual operating cost
- ▣ High security, reliability and stability
- ▣ Specifically designed for high power & large current application scenarios with superior high rate, short term power

Dimensions :



Technical Parameters

Nominal Voltage	12 V
Capacity	120 Ah @ 10hr to 1.80V per cell @ 25°C (77°F)
Weight	Approx. 39 kg (85.98 lbs)
Dimensions	Length: 424 mm Width: 174 mm Height: 218 mm Total Height: 225 mm
Internal Resistance (full charged)	Approx. 3.5 mΩ @ 25°C (77°F)
Maximum Discharge Current	744 A (5sec)
Self Discharge @ 25°C (77°F)	Less than 4% after 30 days storage
Operating Temperature Range	Discharge: -40°C ~ 50°C (-40°F ~ 122°F) Charge: -20°C ~ 45°C (-4°F ~ 113°F) Storage: -20°C ~ 40°C (-4°F ~ 104°F)
Recommended Operating Temperature	15°C ~ 25°C (59°F ~ 77°F)
Maximum Charging Current Limited	24 A
Charging Voltage @ 25°C (77°F)	Float: 2.25 V/cell, Temps coefficient -3 mV/°C Equalize: 2.35 V/cell
Terminal	M6
Container Materials	ABS/ABS V0 (Optional)
Capacity Affected by Temperature	105% @ 40°C (104°F) 85% @ 0°C (32°F) 60% @ -20°C (-4°F)
Design Life @ 25°C (77°F)	12 years

Attain Certificate :

- ISO9001
- ISO14001
- ISO18001

Technical Features

- ▣ Adopt lead carbon technology
- ▣ Lower internal resistance and voltage drop, suited for high rate discharge applications and high efficient UPS
- ▣ Lower self-discharge rate, better charge acceptability and higher sealing reaction efficiency
- ▣ Exquisite craftsmanship and good coherence of internal resistance, capacity
- ▣ Multi-layer seal technology and special seal glue, no leakage and no acid mist escape, safe and reliable

LCH Series

High Power Valve-Regulated Lead-Carbon Battery
LC-12-120H



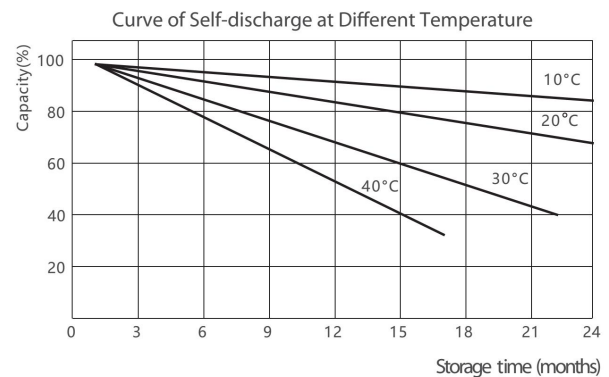
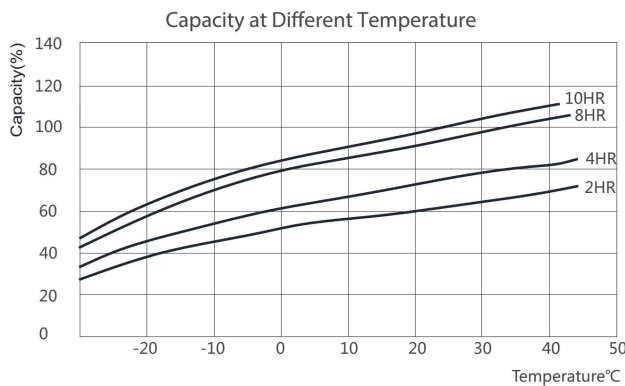
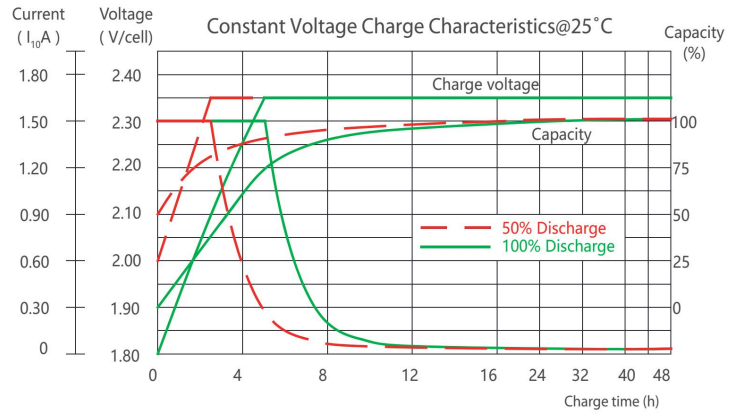
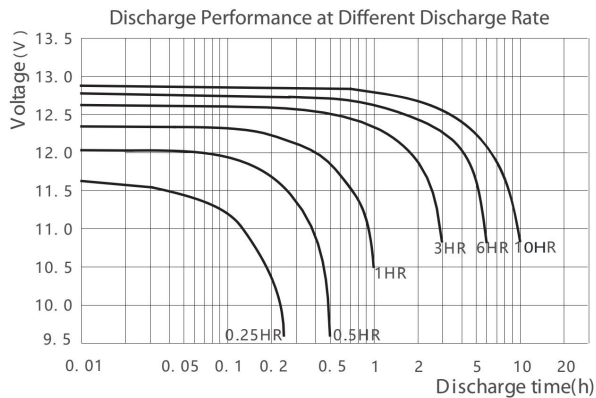
Constant Current Discharge Characteristics Unit: A (25°C, 77°F)

F.V/Time	5min	10min	15min	20min	30min	1hr	1.5hr	2hr	2.5hr	3hr	10hr
1.85V/cell	255	215	182	144	121	74.2	47.0	41.9	35.8	31.9	11.9
1.80V/cell	304	231	203	160	128	77.9	49.7	42.9	36.5	32.5	12.3
1.75V/cell	331	254	222	175	135	79.9	50.6	43.3	36.9	32.8	12.4
1.70V/cell	371	275	231	182	139	80.6	52.0	43.9	37.5	33.3	12.5
1.67V/cell	384	285	235	186	143	81.1	53.6	44.9	38.4	34.1	12.7
1.60V/cell	390	299	239	189	147	81.7	54.3	45.5	38.9	34.4	12.8

Constant Power Discharge Characteristics Unit: W/cell (25°C, 77°F)

F.V/Time	5min	10min	15min	20min	30min	1hr	1.5hr	2hr	2.5hr	3hr	10hr
1.85V/cell	536	462	402	318	240	145	98	82.2	72.8	63.3	23.9
1.80V/cell	618	506	427	337	254	146	102	83.1	73.6	63.9	24.6
1.75V/cell	657	534	452	357	256	147	103	83.8	74.1	64.2	24.8
1.70V/cell	726	572	480	379	263	149	104	84.0	74.5	65.0	25.1
1.67V/cell	739	579	489	386	267	150	106	85.7	75.9	66.1	25.3
1.60V/cell	748	582	498	393	274	151	108	86.9	77.0	66.7	25.5

Performance Curve



Declaration: This information is generally descriptive only and is not intended to make or imply any representation, guarantee or warranty with respect to any cells and batteries. Cell and battery designs/specifications are subject to modification without notice. Contact CHINASHOTO for the latest information.

Welcome to Visit: www.chinashoto.com