

LCH Series

High Power Valve-Regulated Lead-Carbon Battery
LC-12-100H



Main Applications

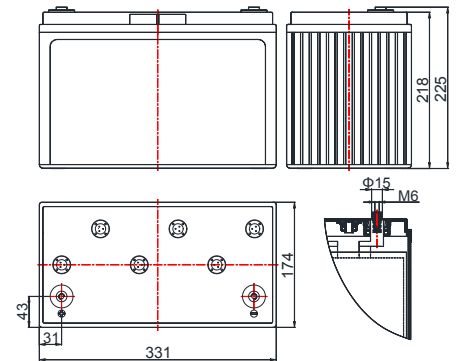
- ▣ IDC and UPS
- ▣ High power & large current application scenarios
- ▣ Backup power for high precision device
- ▣ Emergency lighting, navigation lights

Benefits

- ▣ Designed life of 12 years
- ▣ Low annual operating cost
- ▣ High security, reliability and stability
- ▣ Specifically designed for high power & large current application scenarios with superior high rate, short term power



Dimensions :



Technical Parameters

Nominal Voltage	12 V
Capacity	100 Ah @ 10hr to 1.80V per cell @ 25°C (77°F)
Weight	Approx. 32.6 kg (71.87 lbs)
Dimensions	Length: 331 mm Width: 174 mm Height: 218 mm Total Height: 225 mm
Internal Resistance (full charged)	Approx. 3.7 mΩ @ 25°C (77°F)
Maximum Discharge Current	620 A (5sec)
Self Discharge @ 25°C (77°F)	Less than 4% after 30 days storage
Operating Temperature Range	Discharge: -40°C ~ 50°C (-40°F ~ 122°F) Charge: -20°C ~ 45°C (-4°F ~ 113°F) Storage: -20°C ~ 40°C (-4°F ~ 104°F)
Recommended Operating Temperature	15°C ~ 25°C (59°F ~ 77°F)
Maximum Charging Current Limited	20 A
Charging Voltage @ 25°C (77°F)	Float: 2.25 V/cell, Temps coefficient -3 mV/°C Equalize: 2.35 V/cell
Terminal	M6
Container Materials	ABS/ABS V0 (Optional)
Capacity Affected by Temperature	105% @ 40°C (104°F) 85% @ 0°C (32°F) 60% @ -20°C (-4°F)
Design Life @ 25°C (77°F)	12 years

Attain Certificate :

- ISO9001
- ISO14001
- ISO18001

Technical Features

- ▣ Adopt lead carbon technology
- ▣ Lower internal resistance and voltage drop, suited for high rate discharge applications and high efficient UPS
- ▣ Lower self-discharge rate, better charge acceptability and higher sealing reaction efficiency
- ▣ Exquisite craftsmanship and good coherence of internal resistance, capacity
- ▣ Multi-layer seal technology and special seal glue, no leakage and no acid mist escape, safe and reliable

LCH Series

High Power Valve-Regulated Lead-Carbon Battery
LC-12-100H



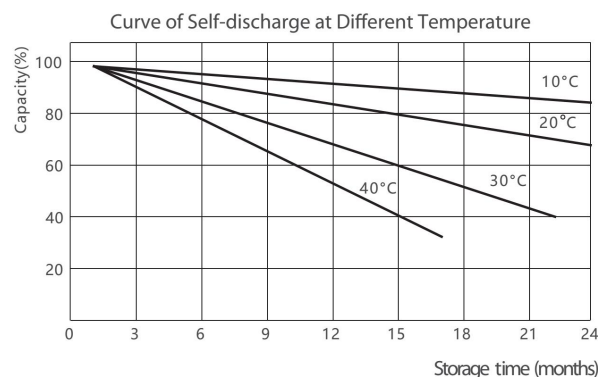
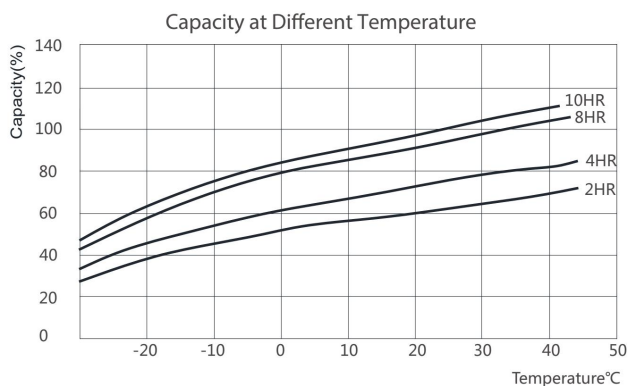
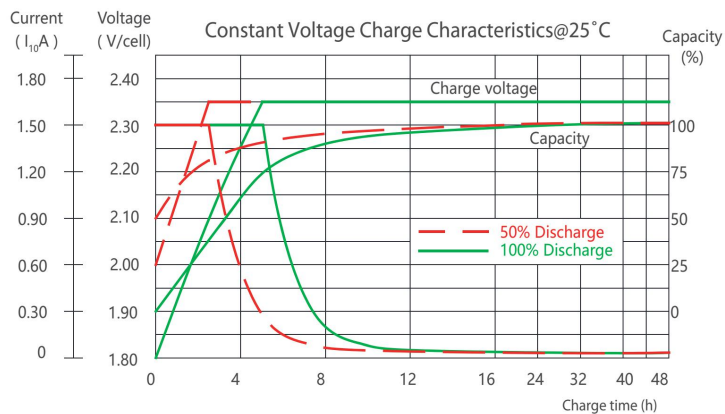
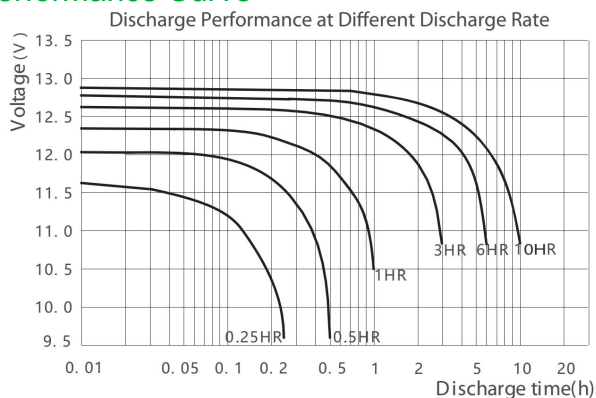
Constant Current Discharge Characteristics Unit: A (25°C, 77°F)

F.V/Time	5min	10min	15min	20min	30min	1hr	1.5hr	2hr	2.5hr	3hr	10hr
1.85V/cell	227	190	154	122	106	64.9	41.1	36.7	31.3	27.9	10.2
1.80V/cell	270	205	171	135	112	68.2	43.5	37.5	31.9	28.4	10.5
1.75V/cell	294	226	187	148	118	69.9	44.3	37.9	32.3	28.7	10.6
1.70V/cell	330	244	195	154	122	70.5	45.5	38.4	32.8	29.1	10.7
1.67V/cell	341	253	199	157	125	71.0	46.9	39.3	33.6	29.8	10.8
1.60V/cell	347	266	201	159	129	71.5	47.5	39.8	34.0	30.1	10.9

Constant Power Discharge Characteristics Unit: W/cell (25°C, 77°F)

F.V/Time	5min	10min	15min	20min	30min	1hr	1.5hr	2hr	2.5hr	3hr	10hr
1.85V/cell	476	399	341	269	210	127	86.1	71.9	63.7	55.4	20.4
1.80V/cell	549	422	355	280	222	128	89.3	72.7	64.4	55.9	21.0
1.75V/cell	584	446	377	298	224	129	90.2	73.3	64.8	56.2	21.2
1.70V/cell	645	478	400	316	230	130	91.3	73.5	65.2	56.9	21.4
1.67V/cell	657	483	406	321	234	131	93.0	75.0	66.4	57.8	21.6
1.60V/cell	665	486	415	328	240	132	94.5	76.0	67.4	58.4	21.8

Performance Curve



Declaration: This information is generally descriptive only and is not intended to make or imply any representation, guarantee or warranty with respect to any cells and batteries. Cell and battery designs/specifications are subject to modification without notice. Contact CHINASHOTO for the latest information.

Welcome to Visit: www.chinashoto.com