

HEL Series

High Energy Long-life Battery

HEL-600



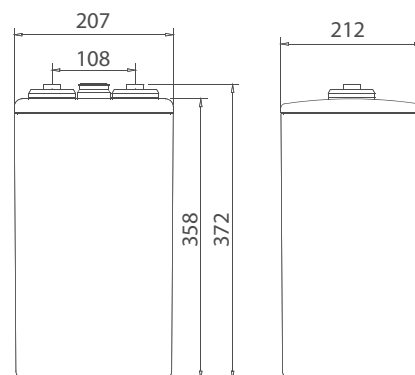
Main Applications

- Storage for solar, wind and hydroelectricity energy
- Backup power for UPS, emergency illumination
- Off-grid & bad-grid environment

Benefits

- 20 years designed life
- Excellent deep cycling performance
- Stable product performance, reduce maintenance cost

Dimensions



Technical Parameters

Nominal Voltage	2 V
Capacity	600 Ah @ 10hr to 1.80 V @ 25°C(77°F)
Weight	41.5 kg (91.49 lbs)
Dimensions	Length: 212 mm (8.35 in) Width: 207 mm (8.15 in) Height: 358 mm (14.06 in) Total height: 372 mm (14.65 in)
Internal Resistance (full charged)	0.28 mΩ
Short-circuit Current	7500 A
Self Discharge @25°C(77°F)	Less than 7% after 90 days storage
Operating Temperature Range	Discharge: -40°C ~ 50°C(-40°F ~ 122°F) Charge: -20°C ~ 45°C(-4°F ~ 113°F) Storage: -20°C ~ 40°C(-4°F ~ 104°F)
Recommended Operating Temperature	15°C ~ 25°C (59°F ~ 77°F)
Recommended Charging Current	90 A
Maximum Charging Current	150 A
Charging Voltage @25°C(77°F)	Float: 2.25 V/cell Equalize: 2.35 V/cell
Terminal	M8
Container Materials	ABS/ABS V0 (Optional)
Capacity Affected by Temperature(C ₁₀)	105% @ 40°C(104°F) 90% @ 0°C(32°F) 40% @ -40°C(-40°F)
Design life @25°C(77°F)	20 years

Certification

- ISO 9001: 2008
- ISO 14001: 2004
- GB/T 28001- 2011
- UL
- CE

Technical Features

- Multiple plate grid alloy and special grid structure, extend battery life
- Low self-discharge, better charge acceptance, high sealed reaction efficiency
- Special additives for positive plates, improve the charge acceptance
- Unique plates elongation resistance structure, solve the plates creep elongation

HEL Series

High Energy Long-life Battery

HEL-600



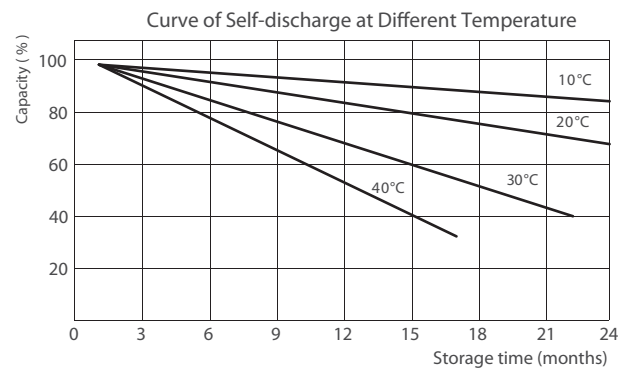
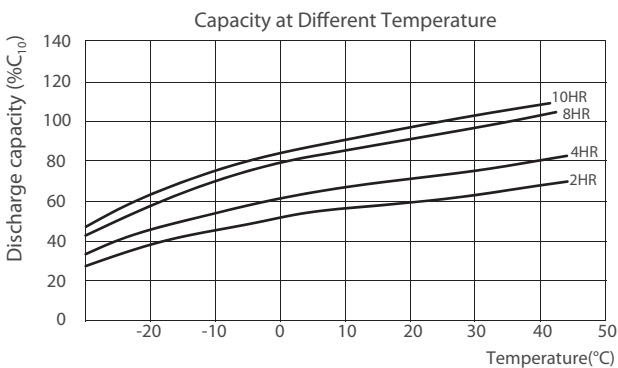
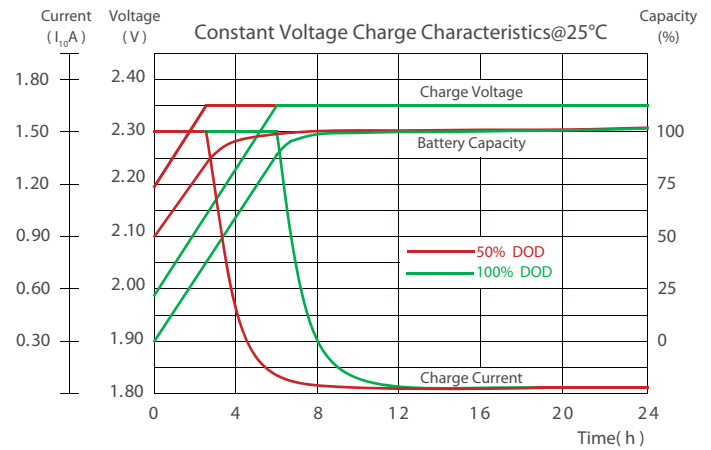
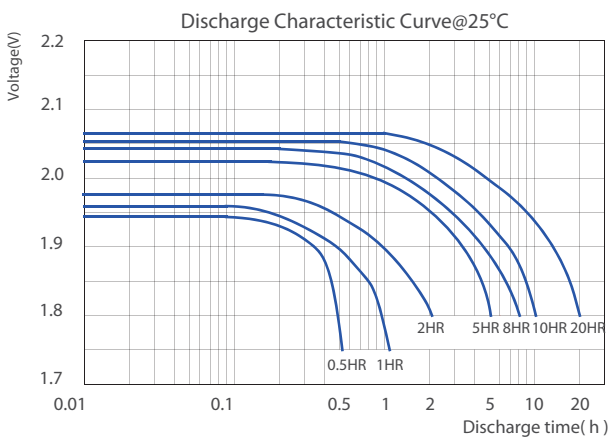
Constant Current Discharge Characteristics Unit: A (25°C, 77°F)

F.V/Time	15min	30min	1hr	3hr	5hr	8hr	10hr	20hr	48hr
1.75V	742	500	331	157	109	76	63	34.2	14.5
1.80V	643	469	319	152	106	74	61	33.6	14.3
1.85V	565	418	288	144	102	72	60	32.4	14.0
1.90V	440	359	249	122	85	60	50	28.7	13.5

Constant Power Discharge Characteristics Unit: W/cell (25°C, 77°F)

F.V/Time	15min	30min	1hr	3hr	5hr	8hr	10hr	20hr	48hr
1.75V	1278	984	618	307	206	141	124	66.8	30.4
1.80V	1217	858	606	300	204	139	122	66.2	29.9
1.85V	1082	801	593	294	200	137	117	62.8	28.8
1.90V	846	648	515	258	187	126	109	57.0	26.9

Performance Curve



*Declaration:

This information is generally descriptive only and is not intended to make or imply any representation, guarantee or warranty with respect to any cells and batteries. Cell and battery designs/specifications are subject to modification without notice. Contact CHINASHOTO for the latest information.

Welcome to Visit : www.chinashoto.com