

HEL Series

High Energy Long Life Battery



shoto

Main Applications

- ▶ Storage for solar, wind and hydroelectricity energy
- ▶ Backup power for UPS, emergency illumination
- ▶ Off-grid & bad-grid environment

Benefits

- ▶ High energy density, better performance at high current and high power application
- ▶ 20 years designed life at 25°C
- ▶ Easy maintenance and low TCO cost
- ▶ Higher security, more reliability and stability

Technical Features

- ▶ Lower internal resistance and voltage drop, more suitable for high power and high current discharge
- ▶ Lower self-discharge rate, better charging acceptability, high sealed reaction efficiency
- ▶ Excellent craftsmanship, high battery consistency



With the advanced lead-acid battery production technology, SHOTO HEL series optimizes the plate, active material, container and electrolyte. Our products conform to standard Japan JIS C8704-2:2006, GB/T 22473-2008 and IEC60896-2, 2004.

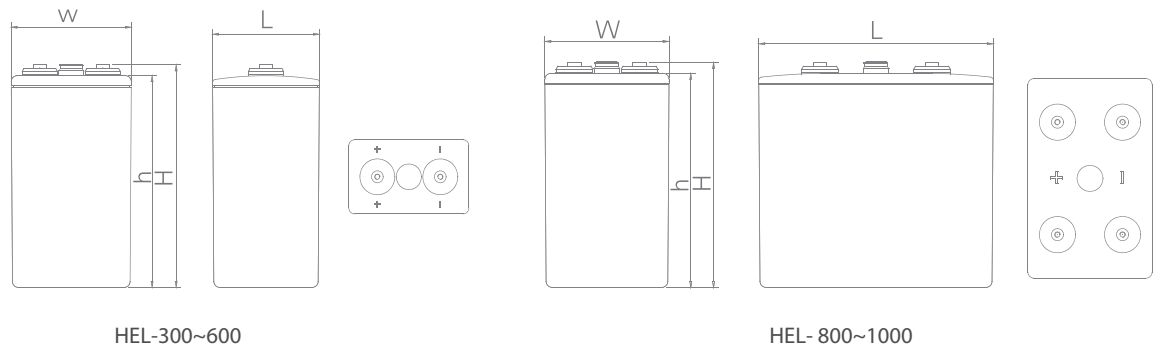
*Passion for Storage
and Green Energy*

HEL Series

High Energy Long Life Battery



Drawings



Specification



	HEL-300	HEL-400	HEL-500	HEL-600	HEL-800	HEL-1000
Nominal Voltage(V)	2	2	2	2	2	2
Length(mm)	125	154	183	212	299	357
Width(mm)	207	207	207	207	211	211
Height of Monobloc (mm)	358	358	358	358	358	358
Total Height(mm)	372	372	372	372	372	372
10hr Capacity(Ah,25 °C)	300	400	500	600	800	1000
Terminal	M8	M8	M8	M8	M8	M8
Terminal Torque(Nm)	15 ~ 17	15 ~ 17	15 ~ 17	15 ~ 17	15 ~ 17	15 ~ 17
Internal Resistance (mΩ)	0.38	0.31	0.29	0.28	0.24	0.23
Short Circuit Current(A)	6400	6900	7300	7500	8900	9100
Weight(kg)	23.4	29.7	35.5	41.5	59	71.4