

GFM-U Series

High Power Battery

GFM-200U



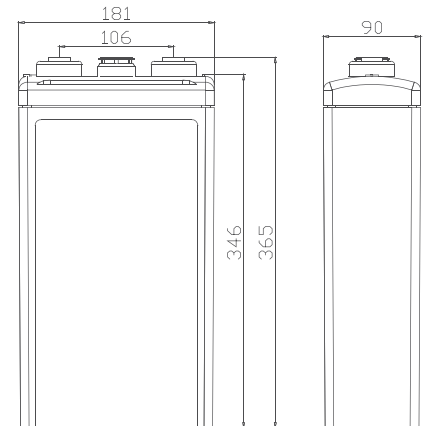
Main Applications

- ▣ IDC and UPS
- ▣ High power & large current application scenarios
- ▣ Backup power for high precision device
- ▣ Emergency lighting, navigation lights

Benefits

- ▣ Specifically designed for high power & large current application scenarios with superior high rate, short term power
- ▣ Designed life of 12 years
- ▣ Low annual operating cost
- ▣ High security, reliability and stability

Dimensions



Technical Parameters

Nominal Voltage	2 V
Capacity	200 Ah @ 10hr to 1.80 V per cell @ 25°C(77°F)
Weight	13.2 kg (29.10 lbs)
Dimensions	Length: 90 mm (3.54 in) Width: 181 mm (7.13 in) Height: 346 mm (13.62 in) Total height: 365 mm (14.37 in)
Internal Resistance (full charged)	0.65 mΩ
Short-circuit Current	5100 A
Self Discharge @25°C(77°F)	Less than 8% after 90 days storage
Operating Temperature Range	Discharge: -40°C ~ 50°C(-40°F ~ 122°F) Charge: -20°C ~ 45°C(-4°F ~ 113°F) Storage: -20°C ~ 40°C(-4°F ~ 104°F)
Recommended Operating Temperature	15°C ~ 25°C (59°F ~ 77°F)
Recommended Charging Current	30 A
Charging Voltage @25°C(77°F)	Float: 2.25 V/cell Equalize: 2.35 V/cell
Terminal	M8
Container Materials	ABS/ABS V0 (Optional)
Capacity Affected by Temperature (C ₁₀)	105% @ 40°C (104°F) 85% @ 0°C (32°F) 60% @ -20°C (-4°F)
Design life @25°C (77°F)	12 years

Certification

- ☑ ISO9001: 2008
(NO.03015Q10076R4M)
- ☑ ISO14001: 2004
(NO.03016E10080R2L)
- ☑ GB/T 28001-2011
(NO.03014S10092R2M)

Technical Features

- ▣ Lower internal resistance and voltage drop, suited for high rate discharge applications and high efficient UPS
- ▣ Lower self-discharge rate, better charge acceptability and higher sealing reaction efficiency
- ▣ Exquisite craftsmanship and good coherence of internal resistance, capacity

GFM-U Series

High Power Battery

GFM-200U



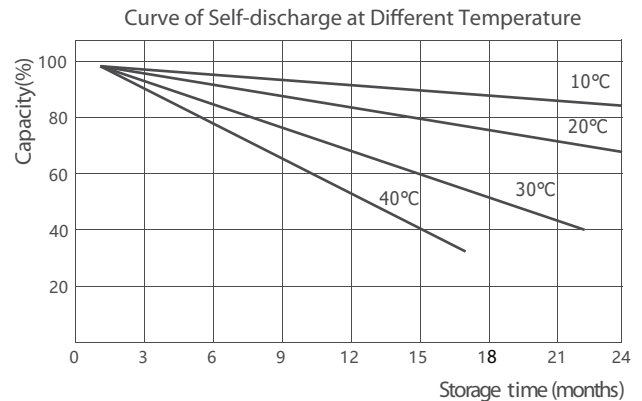
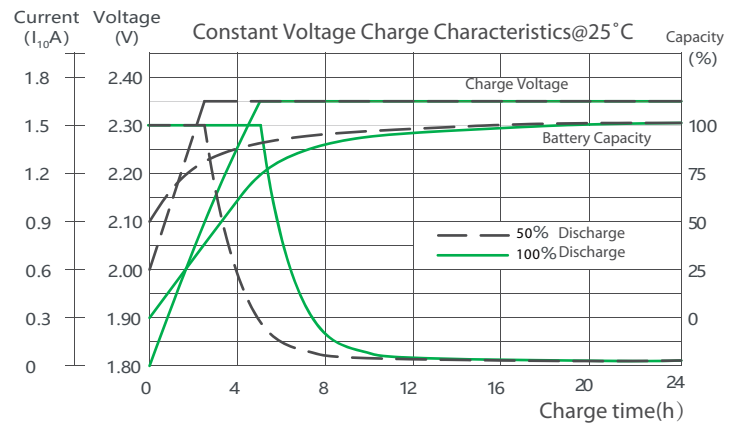
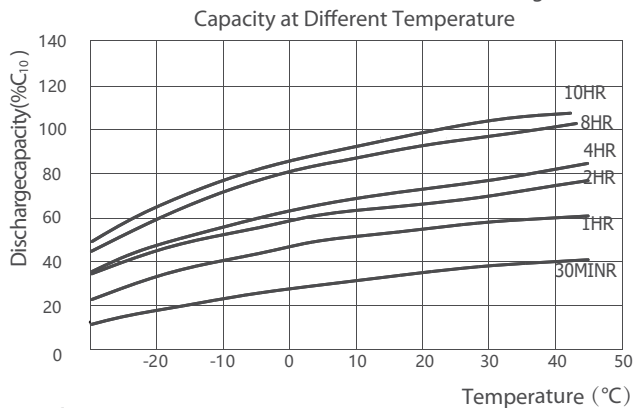
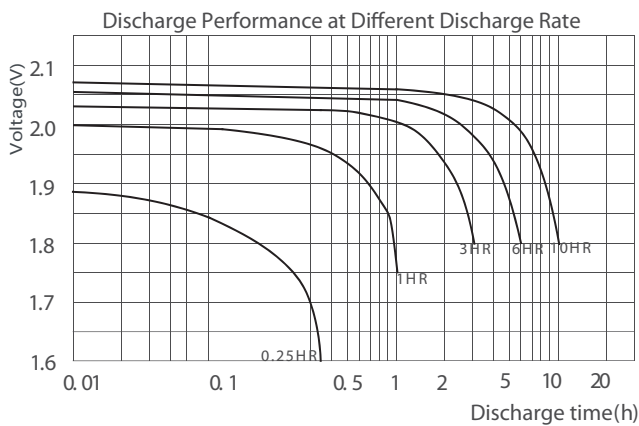
Constant Current Discharge Characteristics Unit: A (25°C, 77°F)

F.V/Time	15min	30min	1h	2h	3h	4h	5h	6h	8h	10h
1.60V	378	245	140	--	--	--	--	--	--	--
1.67V	349	235	136	80.0	55.3	45.9	39.9	34.3	26.2	21.9
1.70V	329	229	133	78.7	54.7	45.1	39.7	34.1	25.7	21.7
1.75V	301	222	128	76.5	53.7	44.7	39.5	33.7	25.5	21.0
1.80V	267	195	115	74.2	52.7	44.0	39.3	33.3	25.3	20.3
1.85V	223	163	90	70.8	49.2	40.7	37.3	32.1	24.3	19.8

Constant Power Discharge Characteristics Unit: W/cell (25°C, 77°F)

F.V/Time	15min	30min	1h	2h	3h	4h	5h	6h	8h	10h
1.60V	631	421	251	--	--	--	--	--	--	--
1.67V	603	411	247	146	102.0	85.3	76.1	65.9	50.5	42.3
1.70V	582	409	243	145	101.3	84.3	76.0	65.7	49.7	42.0
1.75V	547	404	236	142	99.5	83.6	75.7	64.9	49.5	40.9
1.80V	492	360	213	139	98.3	82.7	75.6	64.6	49.2	39.9
1.85V	418	306	173	137	95.3	79.7	74.7	64.4	48.8	39.7

Performance Curve



*Declaration:

This information is generally descriptive only and is not intended to make or imply any representation, guarantee or warranty with respect to any cells and batteries. Cell and battery designs/specifications are subject to modification without notice. Contact CHINASHOTO for the latest information.

Welcome to Visit : www.chinashoto.com