

GFM

Series VRLA Battery

GFM-300



Main Applications

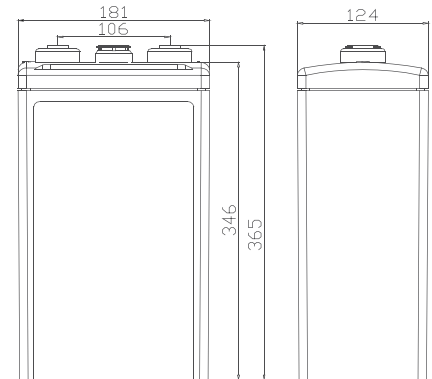
- ▶ Backup power for telecom and signal system
- ▶ Backup power for electric system and nuclear plants
- ▶ Storage for solar, wind and hydroelectricity energy
- ▶ Backup power for military and maritime equipment
- ▶ Backup power for UPS, emergency lighting

Benefits

- ▶ Reduce operational cost
- ▶ Excellent deep cycling performance
- ▶ Reduce CO₂ emission
- ▶ Long life



Dimensions



Technical Parameters

Nominal Voltage	2 V
Capacity	300 Ah @ 10hr to 1.80 V @ 25°C(77°F)
Weight	17.4 kg (38.36 lbs)
Dimensions	Length: 124 mm (4.88 in) Width: 181 mm (7.13 in) Height: 346 mm (13.62 in) Total height: 365 mm (14.37 in)
Internal Resistance (full charged)	0.60 mΩ
Short-circuit Current	2950 A
Self Discharge @25°C(77°F)	Less than 3% after 30 days storage
Operating Temperature Range	Discharge: -40°C ~ 50°C(-40°F ~ 122°F) Charge: -20°C ~ 45°C(-4°F ~ 113°F) Storage: -20°C ~ 40°C(-4°F ~ 104°F)
Recommended Operating Temperature	15°C ~ 25°C (59°F ~ 77°F)
Recommended Charging Current	45 A
Charging Voltage @25°C(77°F)	Float: 2.23 V/cell Equalize: 2.35 V/cell
Terminal	M8
Container Materials	ABS/ABS V0 (Optional)
Capacity Affected by Temperature (C ₁₀)	106% @ 40°C(104°F) 80% @ 0°C(32°F) 50% @ -20°C(-4°F)
Design life @25°C(77°F)	15 years

Certification

- ISO 9001: 2008
- ISO 14001: 2004
- GB/T 28001- 2011
- UL
- CE

Technical Features

- ▶ Best performance for charge acceptability
- ▶ Excellent capacity retention rate
- ▶ Excellent capacity recovery performance
- ▶ Long life design for cyclic or float application



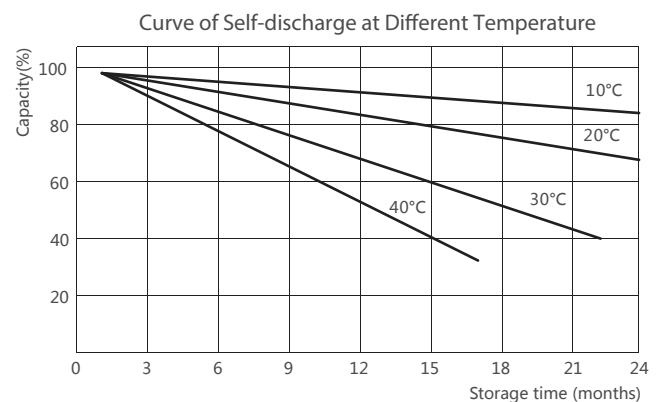
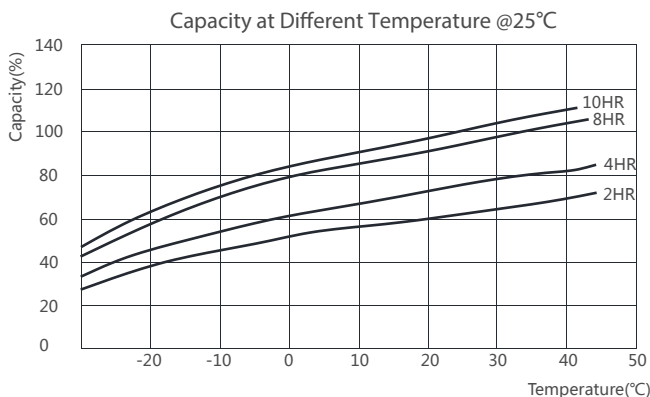
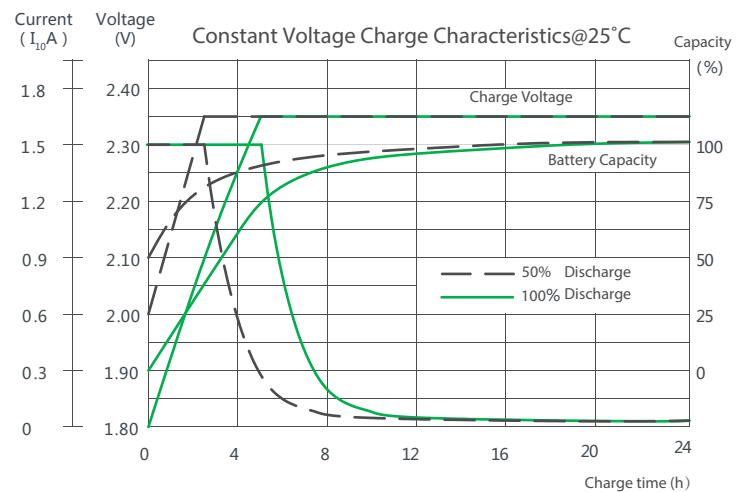
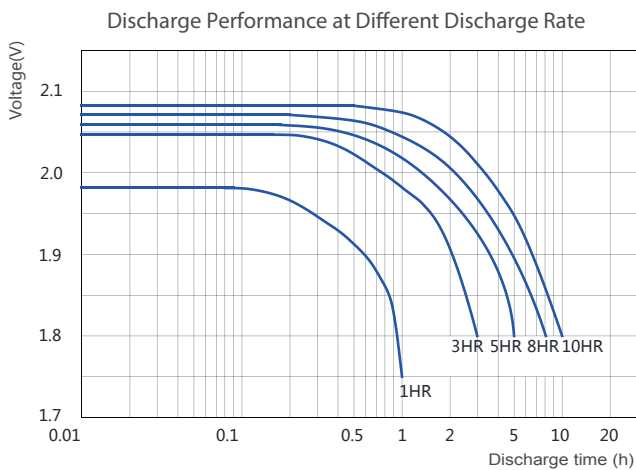
Constant Current Discharge Characteristics Unit: A (25°C,77°F)

F.V/Time	1h	1.5h	2h	3h	4h	5h	6h	8h	10h
1.90V	118	107	86	64.2	54.4	44.6	38.3	32.9	26.8
1.85V	130	122	92	70.8	58.2	48.5	41.4	34.9	29.0
1.80V	155	126	98	75.5	60.4	51.3	45.2	35.9	30.2
1.75V	167	131	103	77.4	61.6	52.2	46.0	36.6	30.6
1.70V	175	137	106	79.2	62.6	52.9	46.6	36.9	30.9
1.65V	182	140	109	80.2	63.2	53.2	46.9	37.0	31.0

Constant Power Discharge Characteristics Unit: W/cell (25°C,77°F)

F.V/Time	1h	1.5h	2h	3h	4h	5h	6h	8h	10h
1.90V	231	212	171	129.6	109.8	90.1	77.6	66.5	54.5
1.85V	255	238	182	141.2	116.3	97.2	83.1	70.2	58.5
1.80V	299	243	190	148.5	120.2	102.3	90.5	72.0	60.5
1.75V	314	253	198	151.7	122.2	103.9	92.0	73.3	61.2
1.70V	330	261	203	154.1	123.8	105.1	92.8	73.7	61.7
1.65V	339	264	206	155.0	124.6	105.6	93.3	73.9	61.8

Performance Curve



***Declaration:**

This information is generally descriptive only and is not intended to make or imply any representation, guarantee or warranty with respect to any cells and batteries. Cell and battery designs/specifications are subject to modification without notice. Contact CHINASHOTO for the latest information.

Welcome to Visit : www.chinashoto.com