

6-GFMHR

High Rate Battery

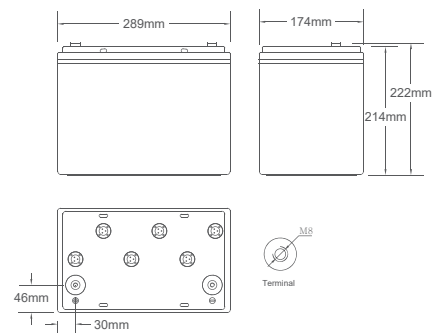
6-GFMHR-320W



Benefits

- ▶ High rate, can be used in the standby power which less than 15min
- ▶ High consistency, security, reliability and stability
- ▶ Fast charging speed, low self-discharge rate
- ▶ Designed life is 15 years
- ▶ Good anti-high current performance
- ▶ Good anti-over-discharge performance
- ▶ Excellent anti-overcharge performance
- ▶ Good anti-impact performance
- ▶ Excellent anti-vibration performance

Dimensions



Technical Parameters

Nominal Voltage	12 V
Rated Power	320W, 15min to 1.67V/cell(25°C)
Weight	26.5 kg(58.42lbs)
Dimensions	Length: 289 mm (11.38 in) Width: 174 mm (6.85 in) Height: 214 mm (8.43 in) Total height: 222 mm (8.74 in)
Internal Resistance (full charged)	3.8 mΩ
Short- circuit Current	2450 A
Self Discharge @25°C(77°F)	Less than 8% after 90 days storage
Operating Temperature Range	Discharge: -40°C ~ 50°C(-40°F ~ 122°F) Charge: -20°C ~ 45°C(-4°F ~ 113°F) Storage: -20°C ~ 40°C(-4°F ~ 104°F)
Recommended Operating Temperature	15°C ~ 25°C (59°F ~ 77°F)
Recommended Charging Current	12 A
Charging Voltage @25°C(77°F)	Float: 2.23 V/cell Equalize: 2.35 V/cell
Terminal	M8
Container Materials	ABS/ABS V0 (Optional)
Capacity Affected by Temperature(C ₁₀)	105% @ 40°C(104°F) 85% @ 0°C(32°F) 60% @ -20°C(-4°F)
Design Life @25°C(77°F)	15 years

Certification

- ☑ ISO 9001: 2008
- ☑ ISO 14001: 2004
- ☑ GB/T 28001- 2011

Technical Features

- ▶ Double-sided smear, cast welding and other processes strengthen the process control and improve battery consistency
- ▶ High-strength ABS material and patented sealing technology ensure the normal use of the battery without leakage, expansion and rupture
- ▶ Corrosion-resistant alloy and stamping process greatly extend the battery life