

6-GFMHR

High Rate Battery

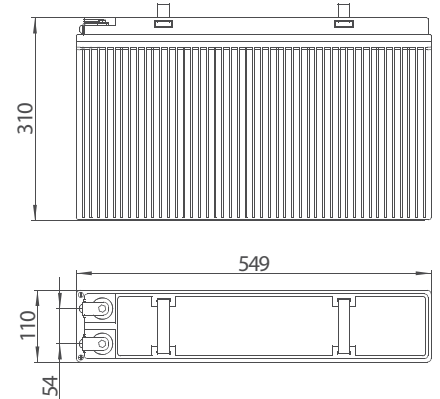
6-GFMHR-590XW



Benefits

- High rate, can be used in the standby power which less than 15min
- High consistency, security, reliability and stability
- Fast charging speed, low self-discharge rate
- Designed life is 15 years
- Good anti-high current performance
- Good anti-over-discharge performance
- Excellent anti-overcharge performance
- Good anti-impact performance
- Excellent anti-vibration performance

Dimensions



Technical Parameters

Nominal Voltage	12 V
Rated Power	590W,15min to 1.67V/cell(25°C)
Weight	49.5 kg(109.13 lbs)
Dimensions	Length: 549 mm (21.61 in) Width: 110 mm (4.33 in) Height: 310 mm (12.20 in)
Internal Resistance (full charged)	3.3 mΩ
Short- circuit Current	2173 A
Self Discharge @25°C(77°F)	Less than 8% after 90 days storage
Operating Temperature Range	Discharge: -40°C ~ 50°C(-40°F ~ 122°F) Charge: -20°C ~ 45°C(-4°F ~ 113°F) Storage:-20°C ~ 40°C(-4°F ~ 104°F)
Recommended Operating Temperature	15°C ~ 25°C (59°F ~ 77°F)
Recommended Charging Current	22.5 A
Charging Voltage @25°C(77°F)	Float: 2.23 V/cell Equalize: 2.35 V/cell
Terminal	M8
Container Materials	ABS/ABS V0 (Optional)
Capacity Affected by Temperature(C ₁₀)	105% @ 40°C(104°F) 85% @ 0°C(32°F) 60% @ -20°C(-4°F)
Design Life @25°C(77°F)	15 years

Certification

- ISO 9001: 2008
- ISO 14001: 2004
- GB/T 28001- 2011

Technical Features

- Double-sided smear, cast welding and other processes strengthen the process control and improve battery consistency
- High-strength ABS material and patented sealing technology ensure the normal use of the battery without leakage, expansion and rupture
- Corrosion-resistant alloy and stamping process greatly extend the battery life

6-GFMHR

High Rate Battery

6-GFMHR-590XW



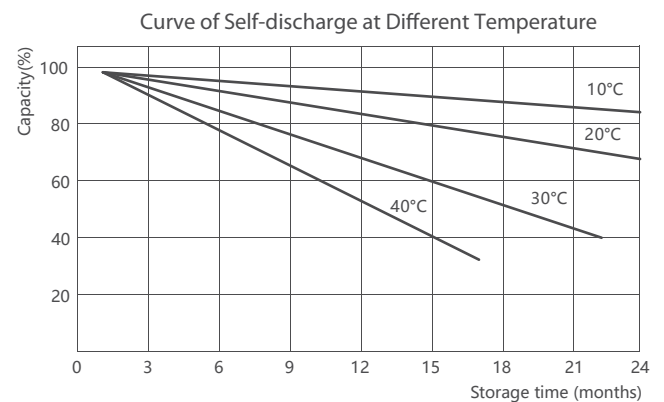
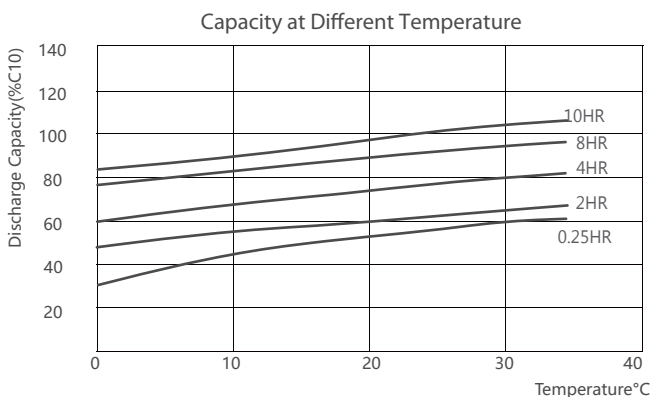
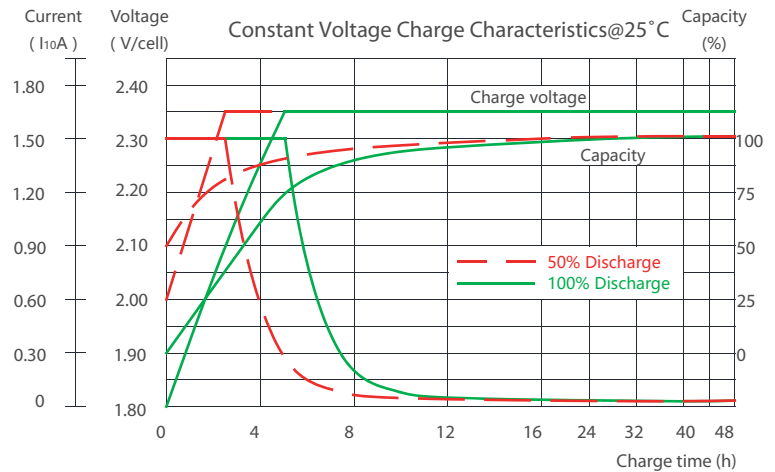
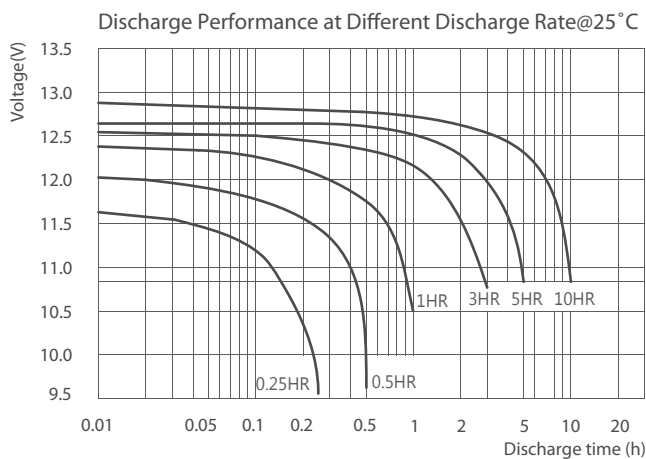
Constant Current Discharge Characteristics Unit: A (25°C, 77°F)

F.V/Time	5min	10min	15min	20min	25min	30min	1hr	1.5hr	2hr	3hr	6hr	10hr
1.60V	496	372	297	244	214	173	97.6	68.5	58.6	44.0	24.3	15.6
1.67V	453	359	281	226	209	165	96.2	67.4	57.8	43.6	24.1	15.5
1.70V	430	344	272	219	199	162	95.4	66.7	56.4	42.7	23.9	15.4
1.75V	392	313	255	212	195	156	92.9	65.8	55.7	42.1	23.7	15.3
1.80V	351	281	236	196	157	149	89.0	63.2	55.1	41.7	23.5	15.1
1.85V	307	249	213	181	145	142	82.7	58.4	54.0	40.9	23.1	15.0

Constant Power Discharge Characteristics Unit: W/cell (25°C, 77°F)

F.V/Time	5min	10min	15min	20min	25min	30min	1hr	1.5hr	2hr	3hr	6hr	10hr
1.60V	800	655	600	488	415	332	189.3	133.6	114.9	86.7	48.1	31.2
1.67V	760	644	590	480	411	318	187.6	132.1	113.9	86.3	48.0	31.1
1.70V	730	614	550	475	409	311	187.0	131.4	111.7	85.0	47.8	31.0
1.75V	650	600	530	470	407	296	183.0	130.3	110.8	84.2	47.6	30.9
1.80V	600	502	460	364	291	282	176.2	125.8	110.2	83.8	47.5	30.7
1.85V	500	442	390	334	267	266	164.6	116.8	108.5	82.6	46.9	30.6

Performance Curve



*Declaration:

This information is generally descriptive only and is not intended to make or imply any representation, guarantee or warranty with respect to any cells and batteries. Cell and battery designs/specifications are subject to modification without notice. Contact CHINASHOTO for the latest information.

Welcome to Visit : www.chinashoto.com