

6-GFMHR

High Rate Battery

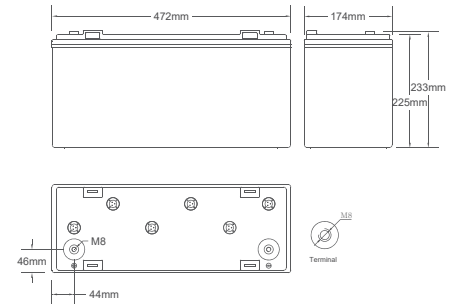
6-GFMHR-550W



Benefits

- High rate, can be used in the standby power which less than 15min
- High consistency, security, reliability and stability
- Fast charging speed, low self-discharge rate
- Designed life is 15 years
- Good anti-high current performance
- Good anti-over-discharge performance
- Excellent anti-overcharge performance
- Good anti-impact performance
- Excellent anti-vibration performance

Dimensions



Technical Parameters

Nominal Voltage	12 V
Rated Power	550W,15min to 1.67V/cell(25°C)
Weight	44.5 kg(98.11 lbs)
Dimensions	Length: 472 mm (18.58 in) Width: 174 mm (6.85 in) Height: 225 mm (8.86 in) Total height: 233 mm (9.17 in)
Internal Resistance (full charged)	2.5m Ω
Short- circuit Current	3400 A
Self Discharge @25°C(77°F)	Less than 8% after 90 days storage
Operating Temperature Range	Discharge: -40°C ~ 50°C(-40°F ~ 122°F) Charge: -20°C ~ 45°C(-4°F ~ 113°F) Storage: -20°C ~ 40°C(-4°F ~ 104°F)
Recommended Operating Temperature	15°C ~ 25°C (59°F ~ 77°F)
Recommended Charging Current	21 A
Charging Voltage @25°C(77°F)	Float: 2.23 V/cell Equalize: 2.35 V/cell
Terminal	M8
Container Materials	ABS/ABS V0 (Optional)
Capacity Affected by Temperature(C ₁₀)	105% @ 40°C(104°F) 85% @ 0°C(32°F) 60% @ -20°C(-4°F)
Design Life @25°C(77°F)	15 years

Certification

- ☑ ISO 9001: 2008
- ☑ ISO 14001: 2004
- ☑ GB/T 28001- 2011

Technical Features

- Double-sided smear, cast welding and other processes strengthen the process control and improve battery consistency
- High-strength ABS material and patented sealing technology ensure the normal use of the battery without leakage, expansion and rupture
- Corrosion-resistant alloy and stamping process greatly extend the battery life

6-GFMHR

High Rate Battery

6-GFMHR-550W

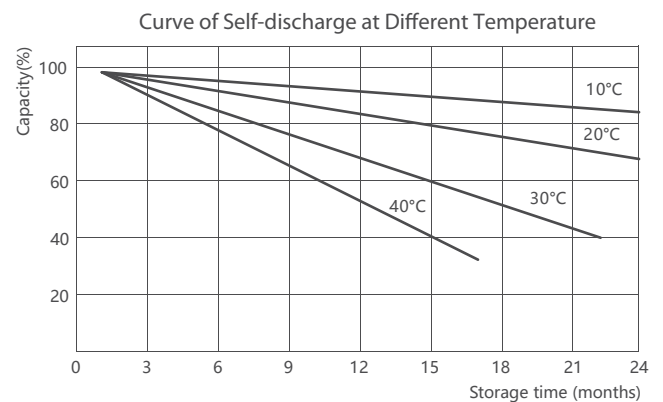
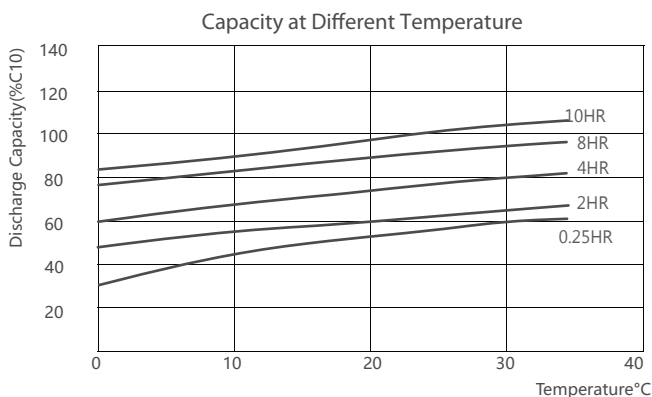
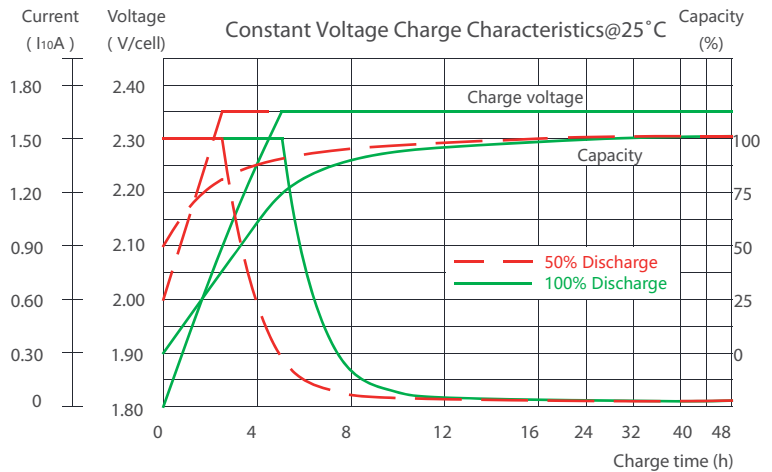
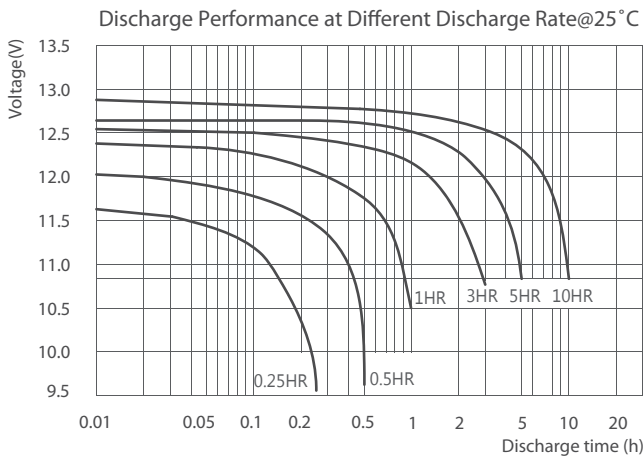


Constant Current Discharge Characteristics Unit: A (25°C, 77°F)

F.V/Time	5min	10min	15min	20min	25min	30min	1hr	1.5hr	2hr	3hr	6hr	10hr
1.60V	468	370	280	229	203	171	91.1	63.9	54.7	41.1	22.7	14.6
1.67V	427	339	275	224	201	168	89.8	62.9	53.9	40.7	22.5	14.5
1.70V	405	331	257	219	194	163	89.0	62.3	52.6	39.9	22.3	14.4
1.75V	370	317	252	215	185	157	86.7	61.4	52.0	39.3	22.1	14.1
1.80V	331	252	222	185	150	145	83.1	59.0	51.4	38.9	21.9	14.0
1.85V	289	224	201	168	134	133	77.2	54.5	50.4	38.2	21.6	13.9

Constant Power Discharge Characteristics Unit: W/cell (25°C, 77°F)

F.V/Time	5min	10min	15min	20min	25min	30min	1hr	1.5hr	2hr	3hr	6hr	10hr
1.60V	819	688	560	465	405	303	173.6	122.4	105.3	79.5	44.1	28.6
1.67V	761	680	550	458	403	297	172.0	121.1	104.4	79.1	44.0	28.5
1.70V	723	675	542	453	402	293	171.4	120.4	102.4	77.9	43.8	28.4
1.75V	663	642	519	436	399	284	167.8	119.4	101.6	77.2	43.7	28.3
1.80V	597	460	413	334	271	267	161.5	115.3	101.0	76.8	43.5	28.1
1.85V	524	413	367	306	260	245	150.9	107.1	99.5	75.7	43.0	28.0



***Declaration:**

This information is generally descriptive only and is not intended to make or imply any representation, guarantee or warranty with respect to any cells and batteries. Cell and battery designs/specifications are subject to modification without notice. Contact CHINASHOTO for the latest information.

🌐 Welcome to Visit : www.chinashoto.com