

# 6-GFMHR

## High Rate Battery

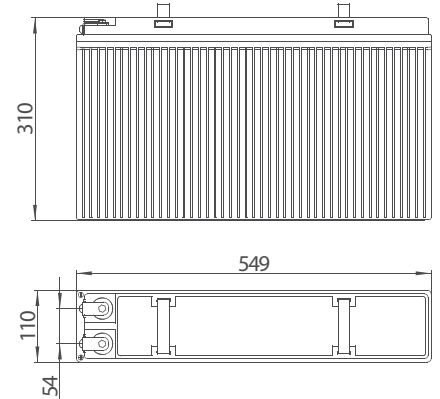
### 6-GFMHR-500XW



### Benefits

- High rate, can be used in the standby power which less than 15min
- High consistency, security, reliability and stability
- Fast charging speed, low self-discharge rate
- Designed life is 15 years
- Good anti-high current performance
- Good anti-over-discharge performance
- Excellent anti-overcharge performance
- Good anti-impact performance
- Excellent anti-vibration performance

### Dimensions



### Technical Parameters

Nominal Voltage	12 V
Rated Power	500W,15min to 1.67V/cell( 25°C)
Weight	46.8 kg(103.18 lbs)
Dimensions	Length: 549 mm (21.61 in) Width: 110 mm (4.33 in) Height: 310 mm (12.20 in)
Internal Resistance (full charged)	3.6 mΩ
Short- circuit Current	2173 A
Self Discharge @25°C(77°F)	Less than 8% after 90 days storage
Operating Temperature Range	Discharge: -40°C ~ 50°C(-40°F ~ 122°F) Charge: -20°C ~ 45°C(-4°F ~ 113°F) Storage:-20°C ~ 40°C(-4°F ~ 104°F)
Recommended Operating Temperature	15°C ~ 25°C (59°F ~ 77°F)
Recommended Charging Current	21 A
Charging Voltage @25°C(77°F)	Float: 2.23 V/cell Equalize: 2.35 V/cell
Terminal	M8
Container Materials	ABS/ABS V0 (Optional)
Capacity Affected by Temperature(C <sub>10</sub> )	105% @ 40°C(104°F) 85% @ 0°C(32°F) 60% @ -20°C(-4°F)
Design Life @25°C(77°F)	15 years

### Certification

- ISO 9001: 2008
- ISO 14001: 2004
- GB/T 28001- 2011

### Technical Features

- Double-sided smear, cast welding and other processes strengthen the process control and improve battery consistency
- High-strength ABS material and patented sealing technology ensure the normal use of the battery without leakage, expansion and rupture
- Corrosion-resistant alloy and stamping process greatly extend the battery life

# 6-GFMHR

## High Rate Battery

### 6-GFMHR-500XW



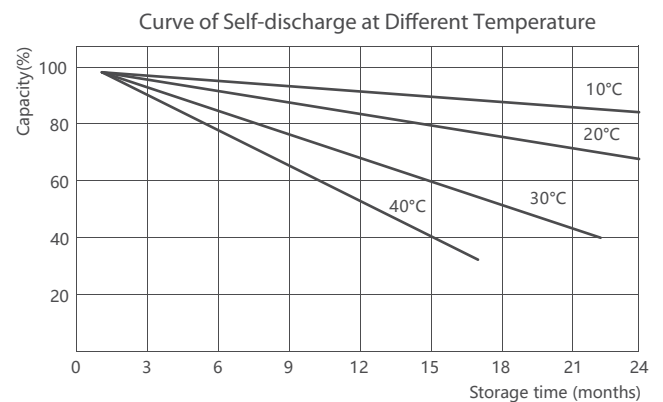
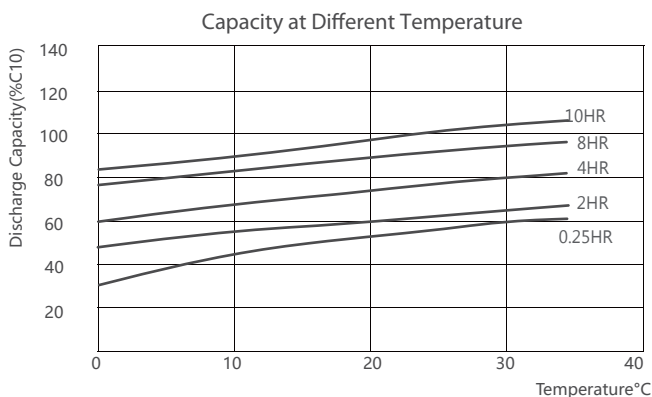
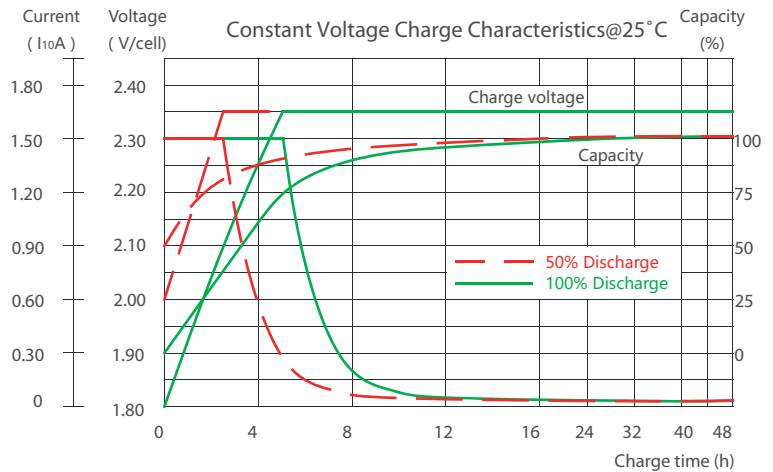
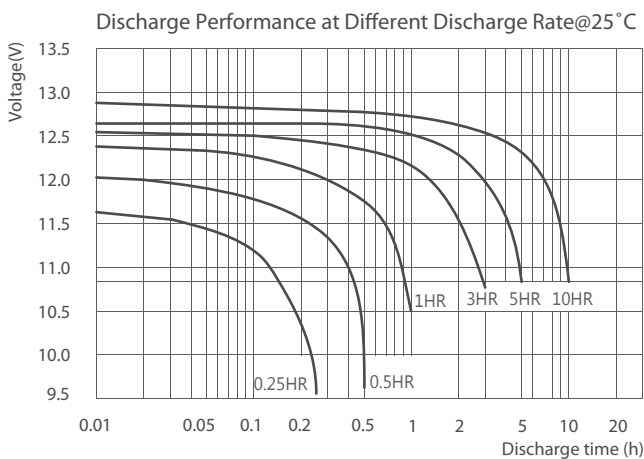
#### Constant Current Discharge Characteristics Unit: A (25°C, 77°F)

F.V/Time	5min	10min	15min	20min	25min	30min	1hr	1.5hr	2hr	3hr	6hr	10hr
1.60V	463	347	277	228	200	162	91.1	63.9	54.7	41.1	22.7	14.6
1.67V	423	335	262	211	195	154	89.8	62.9	53.9	40.7	22.5	14.5
1.70V	401	321	254	204	186	152	89.0	62.3	52.6	39.9	22.3	14.4
1.75V	366	292	238	198	182	146	86.7	61.4	52.0	39.3	22.1	14.3
1.80V	328	262	220	183	146	139	83.1	59.0	51.4	38.9	21.9	14.0
1.85V	286	233	199	169	135	132	77.2	54.5	50.4	38.2	21.6	13.9

#### Constant Power Discharge Characteristics Unit: W/cell (25°C, 77°F)

F.V/Time	5min	10min	15min	20min	25min	30min	1hr	1.5hr	2hr	3hr	6hr	10hr
1.60V	620	580	525	427	363	291	165.7	116.9	100.5	75.8	42.1	27.3
1.67V	600	564	500	420	360	278	164.1	115.6	99.6	75.5	42.0	27.2
1.70V	590	537	481	416	358	272	163.6	115.0	97.7	74.4	41.8	27.1
1.75V	560	525	464	411	356	259	160.1	114.0	97.0	73.7	41.7	27.0
1.80V	550	439	403	319	255	247	154.2	110.0	96.4	73.3	41.5	26.8
1.85V	490	403	365	292	234	233	144.0	102.2	95.0	72.3	41.0	26.5

#### Performance Curve



#### \*Declaration:

This information is generally descriptive only and is not intended to make or imply any representation, guarantee or warranty with respect to any cells and batteries. Cell and battery designs/specifications are subject to modification without notice. Contact CHINASHOTO for the latest information.

Welcome to Visit : [www.chinashoto.com](http://www.chinashoto.com)