

6-GFMHR

High Rate Battery

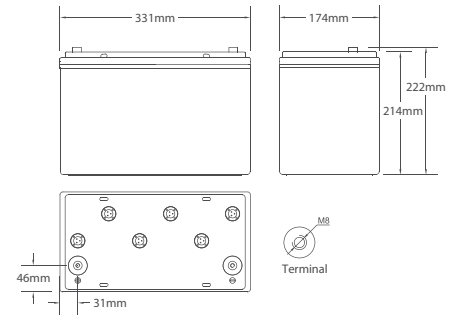
6-GFMHR-440W



Benefits

- ▶ High rate, can be used in the standby power which less than 15min
- ▶ High consistency, security, reliability and stability
- ▶ Fast charging speed, low self-discharge rate
- ▶ Designed life is 15 years
- ▶ Good anti-high current performance
- ▶ Good anti-over-discharge performance
- ▶ Excellent anti-overcharge performance
- ▶ Good anti-impact performance
- ▶ Excellent anti-vibration performance

Dimensions



Technical Parameters

Nominal Voltage	12 V
Rated Power	440W, 15min to 1.67V/cell(25°C)
Weight	32 kg(70.55 lbs)
Dimensions	Length: 331 mm (13.03 in) Width: 174 mm (6.85 in) Height: 214 mm (8.43 in) Total height: 222 mm (8.74 in)
Internal Resistance (full charged)	3.0 mΩ
Short- circuit Current	3070 A
Self Discharge @25°C(77°F)	Less than 8% after 90 days storage
Operating Temperature Range	Discharge: -40°C ~ 50°C(-40°F ~ 122°F) Charge: -20°C ~ 45°C(-4°F ~ 113°F) Storage: -20°C ~ 40°C(-4°F ~ 104°F)
Recommended Operating Temperature	15°C ~ 25°C (59°F ~ 77°F)
Recommended Charging Current	15 A
Charging Voltage @25°C(77°F)	Float: 2.23 V/cell Equalize: 2.35 V/cell
Terminal	M8
Container Materials	ABS/ABS V0 (Optional)
Capacity Affected by Temperature(C ₁₀)	105% @ 40°C(104°F) 85% @ 0°C(32°F) 60% @ -20°C(-4°F)
Design Life @25°C(77°F)	15 years

Certification

- ☑ ISO 9001: 2008
- ☑ ISO 14001: 2004
- ☑ GB/T 28001- 2011

Technical Features

- ▶ Double-sided smear, cast welding and other processes strengthen the process control and improve battery consistency
- ▶ High-strength ABS material and patented sealing technology ensure the normal use of the battery without leakage, expansion and rupture
- ▶ Corrosion-resistant alloy and stamping process greatly extend the battery life

6-GFMHR

High Rate Battery

6-GFMHR-440W



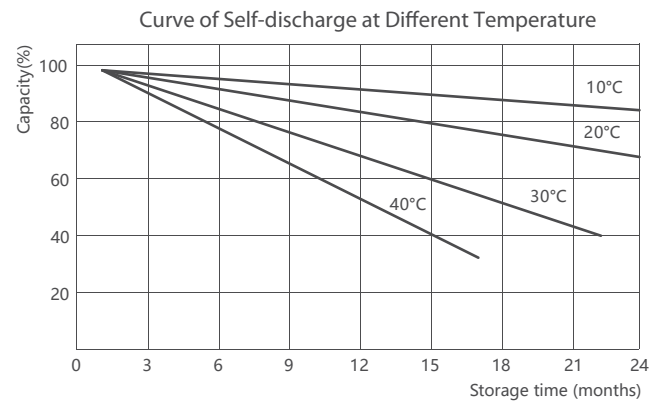
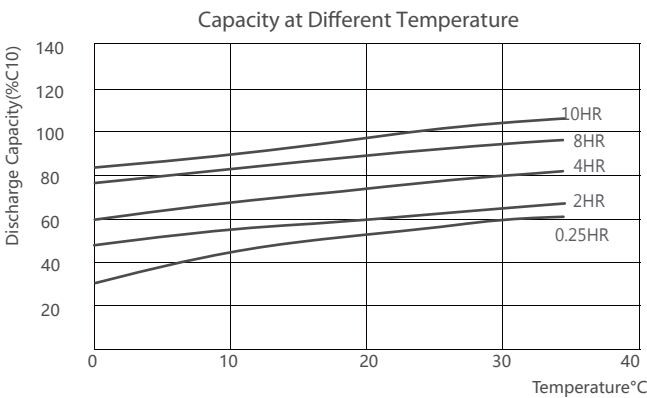
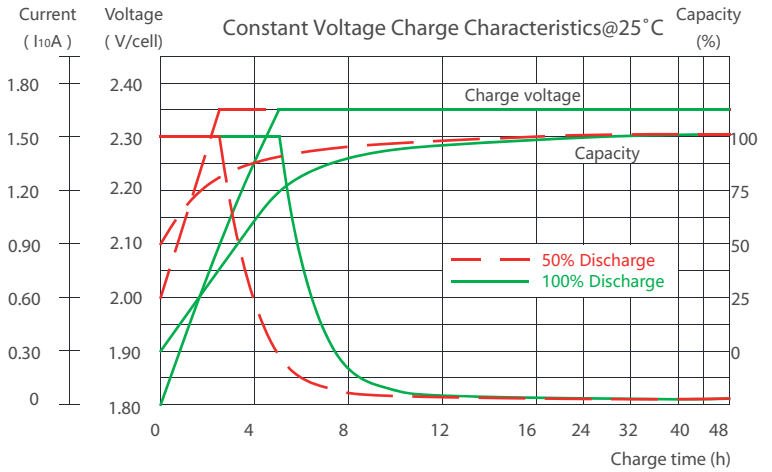
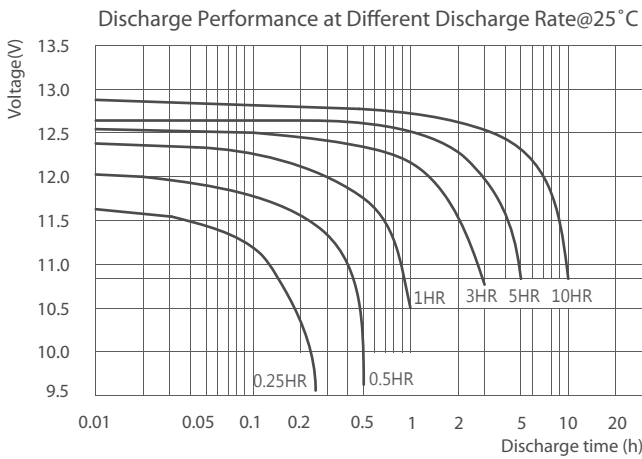
Constant Current Discharge Characteristics Unit: A (25°C, 77°F)

F.V/Time	5min	10min	15min	20min	25min	30min	1hr	1.5hr	2hr	3hr	6hr	10hr
1.60V	444	309	237	192	164	138	79.8	56.0	44.0	30.0	16.1	10.5
1.67V	399	286	224	183	154	131	76.1	54.0	42.0	29.0	16.0	10.4
1.70V	377	275	216	178	150	128	73.2	50.0	39.0	28.5	15.9	10.3
1.75V	337	260	204	169	145	122	70.2	49.2	38.0	28.2	15.8	10.2
1.80V	296	233	194	149	122	112	65.7	46.6	36.5	28.0	15.6	10.1
1.85V	255	211	172	132	107	104	61.7	44.4	36.0	27.5	15.4	9.9

Constant Power Discharge Characteristics Unit: W/cell (25°C, 77°F)

F.V/Time	5min	10min	15min	20min	25min	30min	1hr	1.5hr	2hr	3hr	6hr	10hr
1.60V	740	547	450	365	315	255	149.0	109.2	86.2	60.0	33.2	21.7
1.67V	690	535	440	360	308	246	143.0	105.8	82.7	58.3	33.0	21.6
1.70V	650	530	435	354	306	241	142.0	98.5	77.2	57.6	32.9	21.5
1.75V	600	515	410	344	304	231	137.0	97.4	75.6	57.2	32.7	21.4
1.80V	539	440	390	300	250	217	129.0	92.7	73.0	57.1	32.6	21.3
1.85V	479	402	350	270	216	203	122.0	88.8	72.4	56.4	32.3	21.0

Performance Curve



*Declaration:

This information is generally descriptive only and is not intended to make or imply any representation, guarantee or warranty with respect to any cells and batteries. Cell and battery designs/specifications are subject to modification without notice. Contact CHINASHOTO for the latest information.

Welcome to Visit : www.chinashoto.com