

6-GFM-H Series

High Power Battery
6-GFM-200H



Main Applications

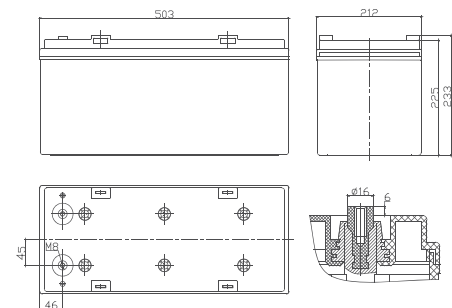
- ▣ IDC and UPS
- ▣ High power & large current application scenarios
- ▣ Backup power for high precision device
- ▣ Emergency lighting, navigation lights

Benefits

- ▣ Specifically designed for high power & large current application scenarios with superior high rate, short term power
- ▣ Designed life of 12 years
- ▣ Low annual operating cost
- ▣ High security, reliability and stability



Dimensions



Technical Parameters

Nominal Voltage	12 V
Capacity	200 Ah @ 10hr to 1.80 V @ 25°C(77°F)
Weight	62 kg (136.7 lbs)
Dimensions	Length: 503 mm (19.80 in) Width: 212 mm (8.35 in) Height: 225 mm (8.86 in) Total height: 233 mm (9.17 in)
Internal Resistance (full charged)	2.6 mΩ
Short-circuit Current	5200 A
Self Discharge @25°C(77°F)	Less than 8% after 90 days storage
Operating Temperature Range	Discharge: -40°C ~ 50°C(-40°F ~ 122°F) Charge: -20°C ~ 45°C(-4°F ~ 113°F) Storage: -20°C ~ 40°C(-4°F ~ 104°F)
Recommended Operating Temperature	15°C ~ 25°C (59°F ~ 77°F)
Recommended Charging Current	30 A
Charging Voltage @25°C(77°F)	Float: 2.23 V/cell Equalize: 2.35 V/cell
Terminal	M8
Container Materials	ABS/ABS V0 (Optional)
Capacity Affected Temperature(C ₁₀)	105% @ 40°C (104°F) 85% @ 0°C (32°F) 60% @ -20°C (-4°F)
Design life @25°C(77°F)	12 years

Certification

- ☑ ISO9001: 2008
(NO.03015Q10076R4M)
- ☑ ISO14001: 2004
(NO.03016E10080R2L)
- ☑ GB/T 28001-2011
(NO.03014S10092R2M)

Technical Features

- ▣ Lower internal resistance and voltage drop, suited for high rate discharge applications and high efficient UPS
- ▣ Lower self-discharge rate, better charge acceptability and higher sealing reaction efficiency
- ▣ Exquisite craftsmanship and good coherence of internal resistance, capacity

6-GFM-H Series

High Power Battery

6-GFM-200H



恒流放电数据 单位: A (25°C)

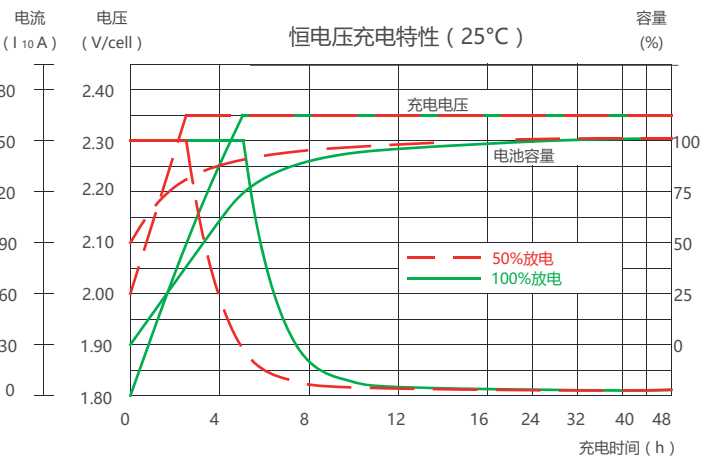
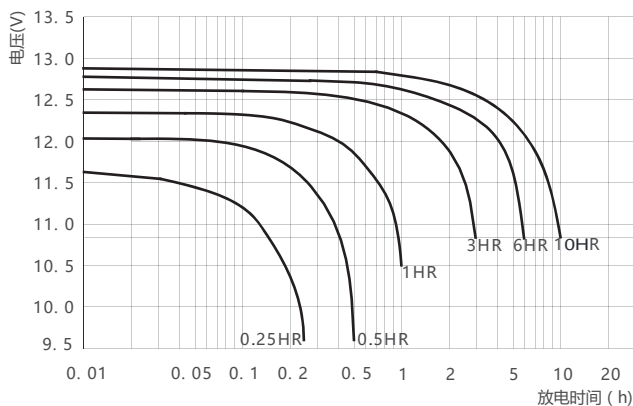
F.V/Time	5min	10min	15min	30min	1hr	1.5hr	2hr	3hr	6hr	10hr
1.60V	543	411	362	228	135	92.4	75.0	58.0	34.0	21.5
1.67V	523	400	353	220	131	91.1	74.0	57.2	33.2	21.2
1.70V	508	395	347	216	128	88.0	73.0	56.0	32.9	20.5
1.75V	458	389	328	212	126	86.1	72.0	55.2	32.6	20.2
1.80V	424	379	305	187	122	84.2	71.0	54.6	32.1	20.0
1.85V	400	358	283	173	113	79.7	70.0	53.6	30.8	19.8

恒功率放电数据表 单位: W/单体 (25°C)

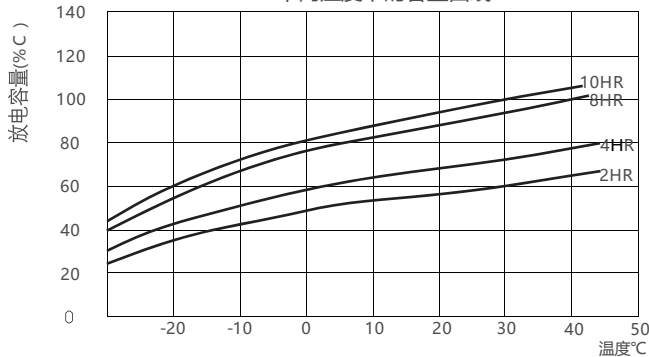
F.V/Time	5min	10min	15min	30min	1hr	1.5hr	2hr	3hr	6hr	10hr
1.60V	949	739	655	415	248	180.2	147.0	114.3	67.3	42.8
1.67V	920	732	650	407	244	178.5	145.8	113.3	66.0	42.4
1.70V	899	730	645	404	241	173.4	144.5	111.4	65.7	41.2
1.75V	815	724	613	399	238	170.4	143.3	110.4	65.4	40.8
1.80V	758	708	573	354	232	167.6	142.0	109.7	64.9	40.6
1.85V	720	673	535	329	215	159.5	140.7	108.3	62.5	40.4

性能曲线

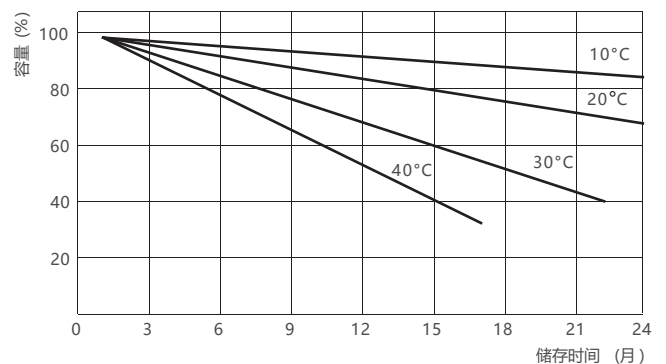
不同放电倍率下的放电性能



不同温度下的容量曲线



不同温度下储存时间与自放电关系曲线



*声明:
该信息仅是对产品性能的简述, 并不意味着是对任意一只电池做出的担保。电池的相关参数可以在未通知的情况下自主进行修改, 请及时与双登保持联系以取得最新资讯信息。

欢迎访问: www.shuangdeng.com.cn