

6-GFM-H Series

High Power Battery
6-GFM-100H



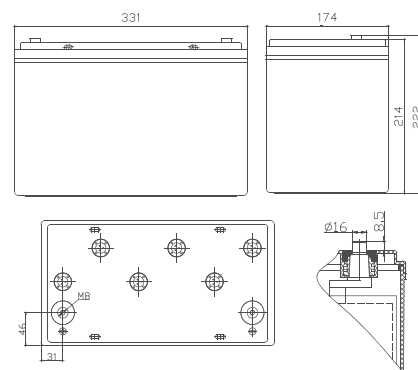
Main Applications

- ▶ IDC and UPS
- ▶ High power & large current application scenarios
- ▶ Backup power for high precision device
- ▶ Emergency lighting, navigation lights

Benefits

- ▶ Specifically designed for high power & large current application scenarios with superior high rate, short term power
- ▶ Designed life of 12 years
- ▶ Low annual operating cost
- ▶ High security, reliability and stability

Dimensions



Technical Parameters

Nominal Voltage	12 V
Capacity	100 Ah @ 10hr to 1.80 V @ 25°C(77°F)
Weight	32.5 kg (71.7 lbs)
Dimensions	Length: 331 mm (13.03 in) Width: 174 mm (6.85 in) Height: 214 mm (8.43 in) Total height: 222 mm (8.74 in)
Internal Resistance (full charged)	3.3mΩ
Short-circuit Current	3070 A
Self Discharge @25°C(77°F)	Less than 8% after 90 days storage
Operating Temperature Range	Discharge: -40°C ~ 50°C(-40°F ~ 122°F) Charge: -20°C ~ 45°C(-4°F ~ 113°F) Storage: -20°C ~ 40°C(-4°F ~ 104°F)
Recommended Operating Temperature	15°C ~ 25°C (59°F ~ 77°F)
Recommended Charging Current	15 A
Charging Voltage @25°C(77°F)	Float: 2.23 V/cell Equalize: 2.35 V/cell
Terminal	M8
Container Materials	ABS/ABS V0 (Optional)
Capacity Affected Temperature(C ₁₀)	105% @ 40°C (104°F) 85% @ 0°C (32°F) 60% @ -20°C (-4°F)
Design life @25°C(77°F)	12 years

Certification

- ☑ ISO9001: 2008
(NO.03015Q10076R4M)
- ☑ ISO14001: 2004
(NO.03016E10080R2L)
- ☑ GB/T 28001-2011
(NO.03014S10092R2M)

Technical Features

- ▶ Lower internal resistance and voltage drop, suited for high rate discharge applications and high efficient UPS
- ▶ Lower self-discharge rate, better charge acceptability and higher sealing reaction efficiency
- ▶ Exquisite craftsmanship and good coherence of internal resistance, capacity

6-GFM-H Series

High Power Battery

6-GFM-100H



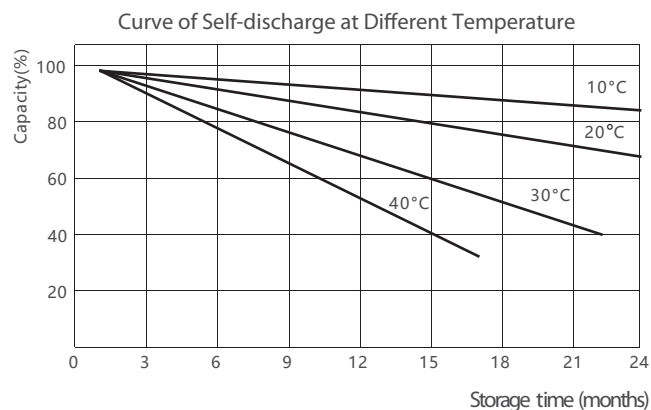
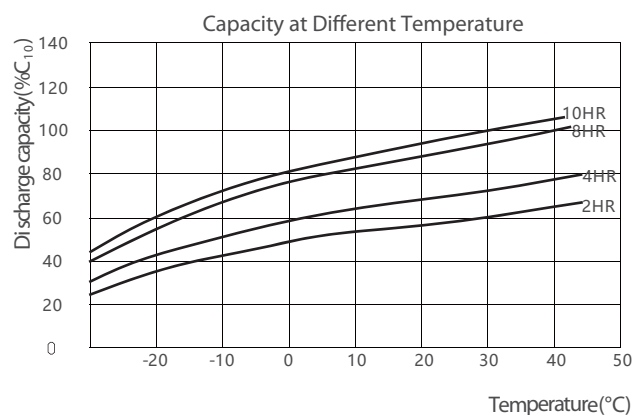
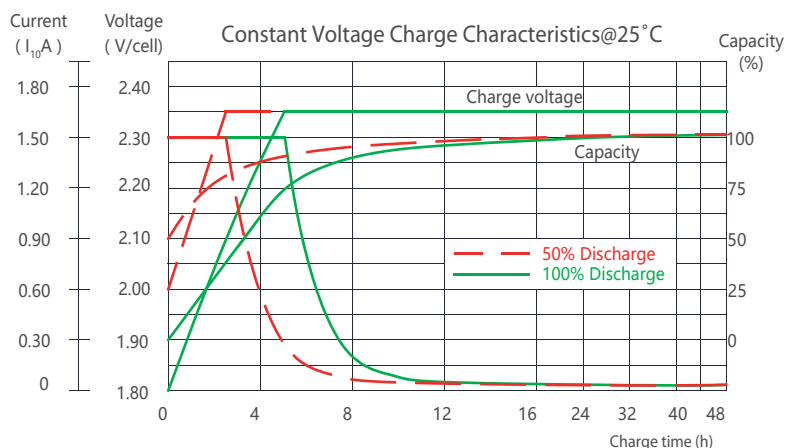
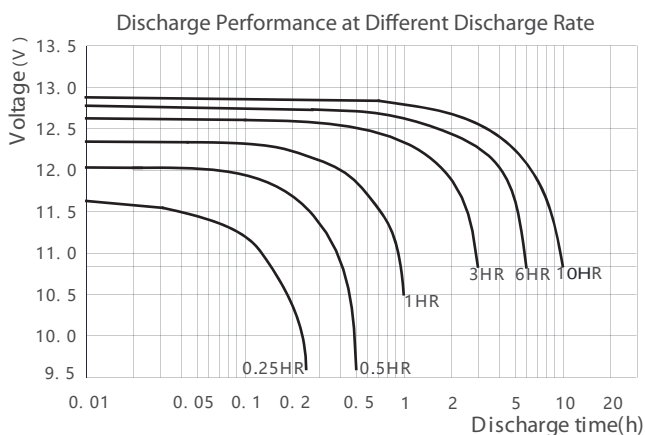
Constant Current Discharge Characteristics Unit: A (25°C, 77°F)

F.V/Time	5min	10min	15min	30min	1hr	1.5hr	2hr	3hr	6hr	10hr
1.60V	444	309	237	143	80	56	44.0	30.0	16.1	10.5
1.67V	399	286	224	135	76	54	42.0	29.0	16.0	10.4
1.70V	377	275	216	131	73	50	39.0	28.5	15.9	10.3
1.75V	337	255	204	123	70	49	38.0	28.2	15.8	10.2
1.80V	296	233	188	115	66	47	36.5	28.0	15.6	10.1
1.85V	255	211	172	106	62	44	36.0	27.5	15.4	9.9

Constant Power Discharge Characteristics Unit: W/cell (25°C, 77°F)

F.V/Time	5min	10min	15min	30min	1hr	1.5hr	2hr	3hr	6hr	10hr
1.60V	759	541	419	255	143	109	86.2	60.0	33.2	21.7
1.67V	686	503	400	242	137	106	82.7	58.3	33.0	21.6
1.70V	652	487	387	236	132	99	77.2	57.6	32.9	21.5
1.75V	586	454	367	223	128	97	75.6	57.2	32.7	21.4
1.80V	518	417	340	209	120	93	73.0	57.1	32.6	21.3
1.85V	449	380	313	194	114	89	72.4	56.4	32.3	21.0

Performance Curve



*Declaration:

This information is generally descriptive only and is not intended to make or imply any representation, guarantee or warranty with respect to any cells and batteries. Cell and battery designs/specifications are subject to modification without notice. Contact CHINASHOTO for the latest information.

Welcome to Visit : www.chinashoto.com