

6-GFM Series

Valve-Regulated Lead-Acid Battery

6-GFM-100



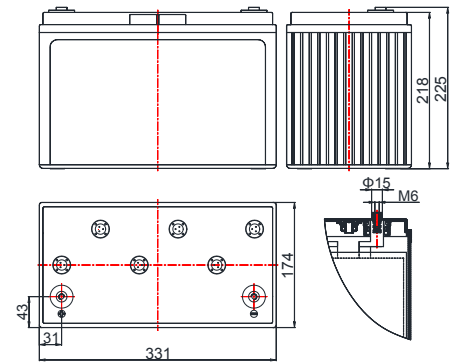
Main Applications

- Backup power for telecom and signal system
- Military field, railway system, power system
- UPS & emergency lighting system
- Fire alarm and security system

Benefits

- 10 years design life
- Safely and reliably sealed
- High energy density, low internal resistance and low discharge rate
- Excellent charging acceptability and high sealed reaction efficiency

Dimensions :



Technical Parameters

Nominal Voltage	12 V
Capacity	100Ah @ 10hr to 1.80V per cell @ 25°C(77°F)
Weight	Approx. 30 kg (66.14 lbs)
Dimensions	Length : 331 mm Width : 174 mm Height : 218 mm Total Height : 225 mm
Internal Resistance (full charged)	Approx. 4.3 mΩ @ 25°C(77°F)
Maximum Discharge Current	620 A (5sec)
Self Discharge @25°C(77°F)	Less than 4% after 30 days storage
Operating Temperature Range	Discharge: -40°C~50°C(-40°F~122°F) Charge: -20°C~45°C(-4°F~113°F) Storage:-20°C~40°C(-4°F~104°F)
Recommended Operating Temperature	15°C~25°C (59°F~77°F)
Maximum Charging Current Limited	20 A
Charging Voltage @25°C(77°F)	Float: 2.25 V/cell, Temps coefficient -3 mV/°C Equalize: 2.35 V/cell
Terminal	M6
Container Materials	ABS/ABS V0 (Optional)
Capacity Affected by Temperature	105 % @ 40°C 85 % @ 0°C 60 % @ -20°C
Design Life @25°C(77°F)	10 years

Attain Certificate

- ISO9001
- ISO14001
- ISO18001
- UL
- CE

Technical Features

- Adopt high strength ABS plastic, compact structure for battery container and valve, good impact resistance, and shock resistant performance
- Adopt multi-element alloy grids, low internal resistance, good corrosion resistance ability and charging acceptability.
- New production process for plate, improve the utilization of active material
- High-purity electrolyte and special additives, low self-discharge
- Multi-layer seal technology and special seal glue, no leakage and no acid mist escape, safe and reliable

6-GFM Series

Valve-Regulated Lead-Acid Battery
6-GFM-100



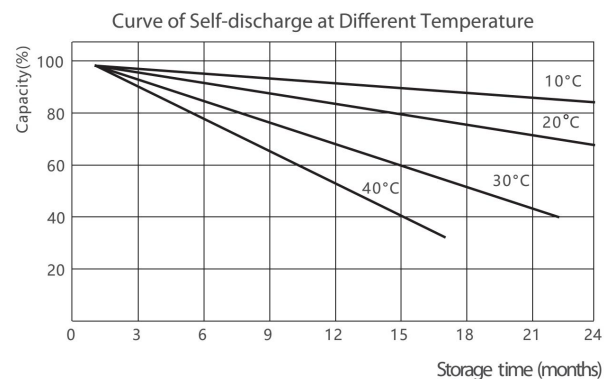
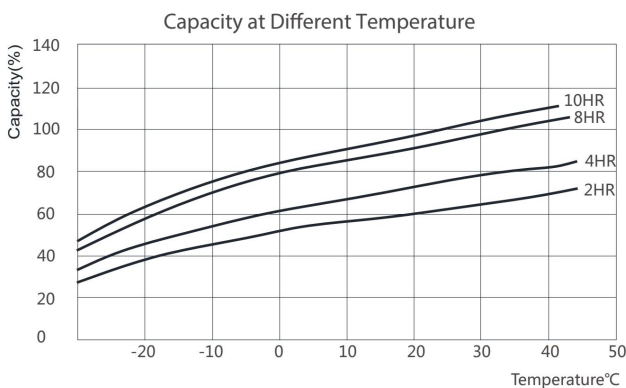
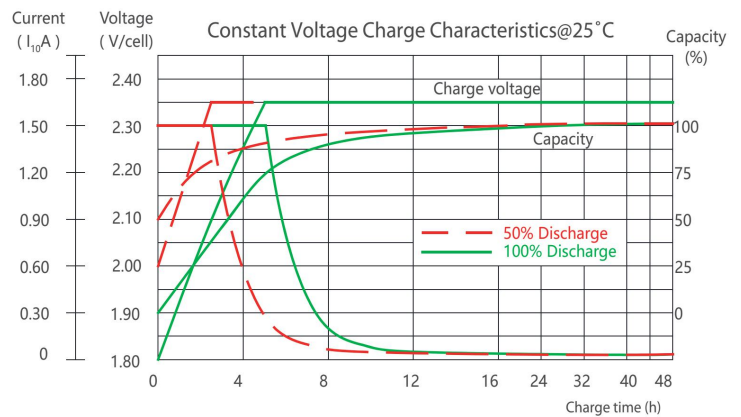
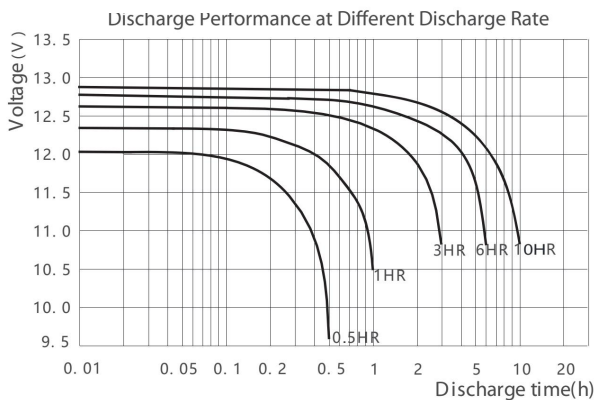
Constant Current Discharge Characteristics Unit: A (25°C, 77°F)

F.V/Time	5min	10min	15min	20min	30min	45min	1hr	2hr	3hr	4hr	5hr	6hr	8hr	10hr	20hr
1.85V/cell	186	153	136	116	87.2	65.1	54.0	32.4	24.1	19.4	16.3	14.4	11.6	9.9	5.18
1.80V/cell	222	171	148	125	92.6	67.9	55.5	33.6	25.0	20.0	16.7	14.7	11.9	10.1	5.29
1.75V/cell	240	182	155	131	97.2	70.7	57.5	34.6	25.6	20.4	17.1	15.0	12.1	10.2	5.36
1.70V/cell	258	192	162	137	101	73.3	59.3	35.5	26.1	20.8	17.4	15.2	12.2	10.3	5.42
1.67V/cell	268	196	165	140	105	75.5	60.8	36.3	26.6	21.1	17.6	15.4	12.4	10.4	5.47
1.60V/cell	286	206	172	146	108	77.5	62.1	36.9	27.0	21.4	17.8	15.6	12.5	10.5	5.51

Constant Power Discharge Characteristics Unit: W/cell (25°C, 77°F)

F.V/Time	5min	10min	15min	20min	30min	45min	1hr	2hr	3hr	4hr	5hr	6hr	8hr	10hr	20hr
1.85V/cell	351	289	257	221	167	125	104	63.8	47.7	38.5	32.4	28.6	23.2	19.8	10.4
1.80V/cell	407	318	277	236	176	130	107	66.0	49.3	39.5	33.2	29.2	23.7	20.1	10.6
1.75V/cell	435	335	290	247	184	135	110	67.8	50.2	40.3	33.8	29.7	24.0	20.3	10.7
1.70V/cell	459	349	302	256	191	139	114	69.3	51.2	40.9	34.2	30.1	24.3	20.5	10.8
1.67V/cell	471	355	306	261	197	143	116	70.6	52.0	41.5	34.7	30.4	24.5	20.6	10.9
1.60V/cell	494	368	316	269	202	146	118	71.5	52.5	41.9	34.9	30.7	24.7	20.7	11.0

Performance Curve



Declaration: This information is generally descriptive only and is not intended to make or imply any representation, guarantee or warranty with respect to any cells and batteries. Cell and battery designs/specifications are subject to modification without notice. Contact CHINASHOTO for the latest information.

Welcome to Visit: www.chinashoto.com