

6-GFM Series

VRLA Battery
6-GFM-33



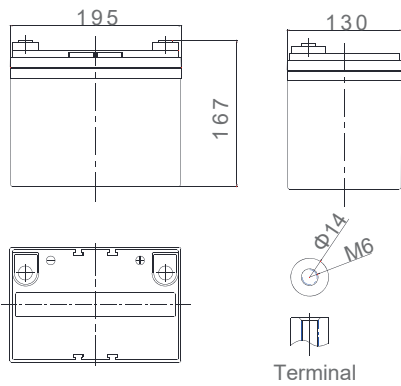
Main Applications

- ▶ UPS/EPS
- ▶ Power systems
- ▶ Telecommunications system
- ▶ Emergency lighting- Auto control system
- ▶ Solar/wind generating storage cyclic
- ▶ Other general purpose

Benefits

- ▶ Optimized capability of instant high-current discharging
- ▶ Excellent deep cycle discharge capability
- ▶ Strong high and low temperature performance
- ▶ Long life

Dimensions



Technical Parameters

Nominal Voltage	12V
Nominal Capacity	33Ah
Design life	10 years
Terminal	M6
Approx. Weight	Approx 10.0kg (22.0lbs)
Container Material	ABS
Rated Capacity	33.0Ah: 10Hour Rate (3.30A to 10.8V) 21.6Ah: 3Hour Rate (8.86A to 10.8V) 26.6Ah: 1Hour Rate (21.6A to 10.5V)
Internal resistance	Full charged at 25°C: 13.0 mΩ
Max. Discharge Current	396A(5S)
Operating Temperature	Discharge: -20 ~50°C (-4~ 122°F) Charge : -20 ~50°C (-4~ 122°F) Storage: -20 ~50°C (-4~ 122°F)
Charge Method (25 °C)	Charge current: Max. 8.3A; Recom.3.3A Float Charge voltage(-3mV/°C): 13.5-13.8V,recom.13.5V(Full floating system) 13.5-13.8V,recom.13.62V(Cycle use system) Equalize charge:13.8-14.1V,recom.14.1V(-4mV/ °C) Cycle charge:14.4-15.0V,recom.14.4V(-5mV/ °C)
Self discharge	3% of capacity declined per month at 25°C

Certification

- ISO9001: 2008
(NO.03015Q10076R4M)
- ISO14001: 2004
(NO.03016E10080R2L)
- GB/T 28001-2011
(NO.03014S10092R2M)

Technical Features

- ▶ High corrosion resistant performance:
Pb-Ca multi-alloy grid
- ▶ High energy density and power density
- ▶ Excellent charge acceptance ability
- ▶ Precision sealing technology

6-GFM Series

VRLA Battery

6-GFM-33



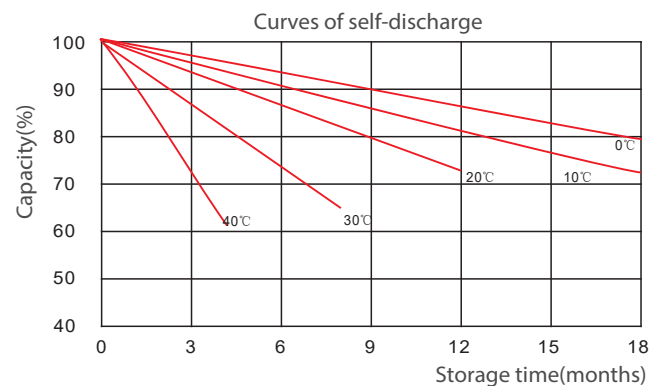
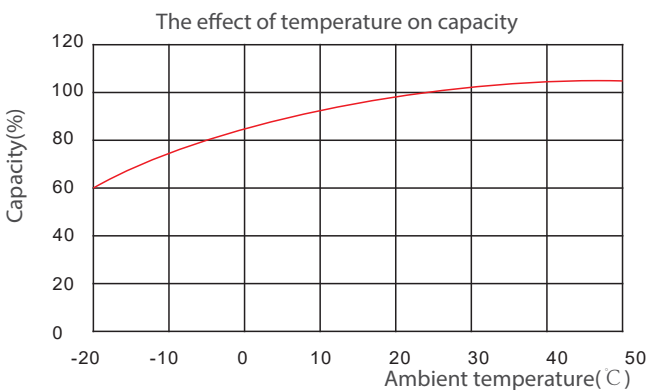
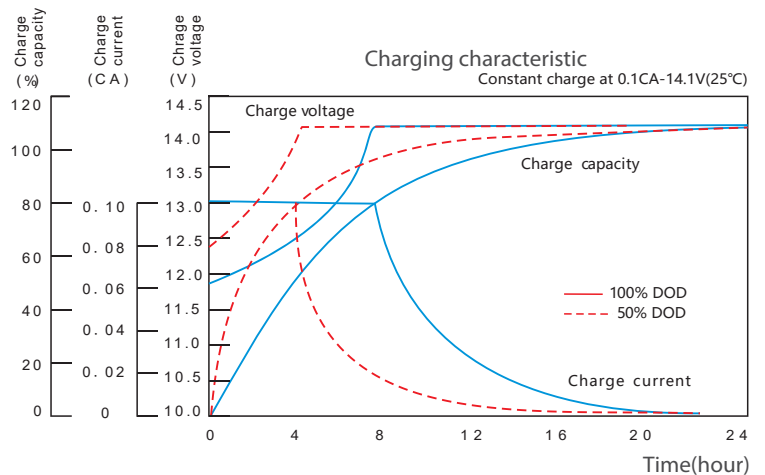
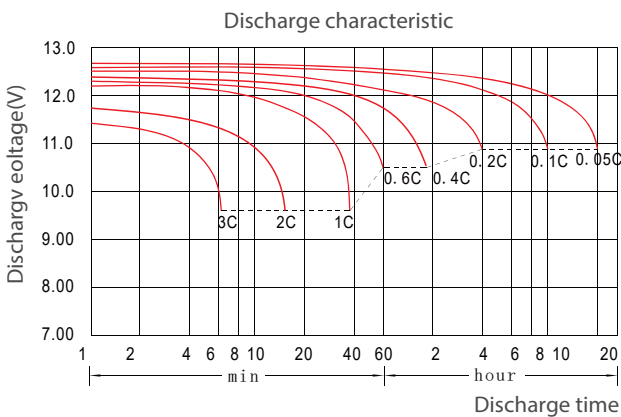
Constant Current Discharge Characteristics Unit: A (25°C, 77°F)

F.V/Time	5min	15min	30min	1hr	2hr	3hr	5hr	8hr	10hr	20hr
1.60V	116	62.5	38.0	22.2	12.7	9.25	6.21	4.08	3.43	1.80
1.65V	113	60.6	37.4	22.1	12.7	9.15	6.14	4.04	3.40	1.79
1.70V	108	59.3	36.7	21.9	12.6	9.02	6.08	4.01	3.37	1.78
1.75V	100	57.3	36.4	21.6	12.4	8.93	6.02	3.98	3.33	1.78
1.80V	89.2	53.5	34.8	21.1	12.2	8.86	5.85	3.95	3.30	1.77
1.85V	79.6	47.7	31.8	19.5	11.5	8.34	5.56	3.78	3.20	1.74

Constant Power Discharge Characteristics Unit: W/cell (25°C, 77°F)

F.V/Time	5min	15min	30min	1hr	2hr	3hr	5hr	8hr	10hr	20hr
1.60V	195	110	68.8	42.0	24.1	17.6	11.8	7.92	6.6	3.56
1.65V	188	108	68.1	41.7	24.0	17.4	11.7	7.86	6.53	3.55
1.70V	187	107	68.1	41.4	23.9	17.3	11.6	7.82	6.47	3.53
1.75V	174	106	67.8	41.0	23.8	17.2	11.5	7.76	6.40	3.51
1.80V	160	100	66.2	40.7	23.7	17.1	11.4	7.69	6.34	3.50
1.85V	143	89.7	60.7	37.8	22.7	16.3	10.9	7.43	6.24	3.47

Performance Curve



*Declaration:

This information is generally descriptive only and is not intended to make or imply any representation, guarantee or warranty with respect to any cells and batteries. Cell and battery designs/specifications are subject to modification without notice. Contact CHINASHOTO for the latest information.

Welcome to Visit : www.chinashoto.com