

6-FMX-G Series

VRLA AGM-Gel Battery



Main Applications

- ▶ Solar & wind energy storage system
- ▶ Off-grid & bad-grid hybrid sites
- ▶ Standby application

Benefits

- ▶ Excellent deep cycling performance
- ▶ Long life design for float application, 12 years
- ▶ Suitable for 19in/23in cabinet, reduce the occupied area
- ▶ High performance/price ratio and low annual operating cost

Technical Features

- ▶ Special gel electrolyte without flowing to avoid acid stratification and can prolong service life
- ▶ Front terminal connection makes it more convenient to install and maintain
- ▶ Lower self-discharge rate and better charge acceptability
- ▶ Superb security and reliability, the unique sealing technology can avoid leakage effectively



The 6-FMX-G series AGM gel battery is the product developed by SHOTO through the international advanced gel technology with industry leading performance.

The front terminal design makes the installations quite simple and safe when placed on a standard relay rack tray or in a closed cabinet.

With special grid design, corrosion-resistant alloy materials, superior quality gel electrolyte, proprietary activator and advanced sealing technology, 6-FMX-G series AGM gel battery devotes itself to provide more stable and reliable backup power for communication and energy storage systems.

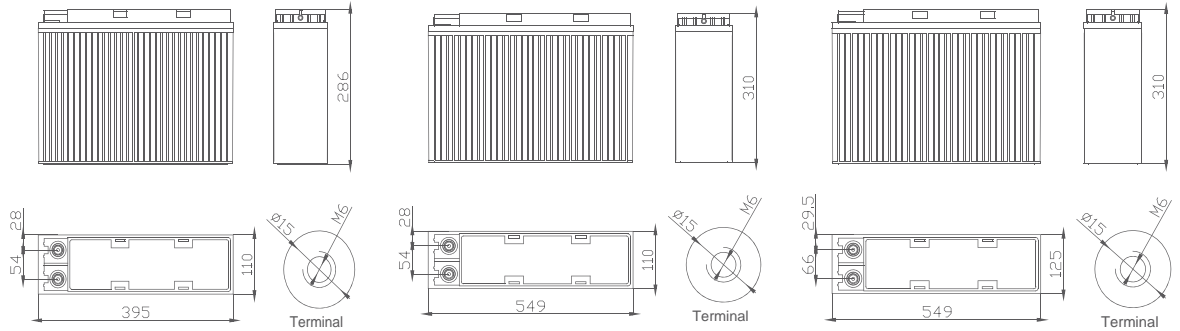
*Passion for Storage
and Green Energy*

6-FMX-G Series

VRLA AGM-Gel Battery



Drawings



6-FMX-100BG

6-FMX-150BG

6-FMX-150CG

Specification



6-FMX-100BG

6-FMX-150BG

6-FMX-150CG

Nominal Voltage(V)	12	12	12
Length(mm)	395	549	549
Width(mm)	110	110	125
Total Height(mm)	286	310	310
10hr Capacity(Ah, 25°C)	100	150	150
Terminal	M6	M6	M6
Terminal Hardware Torque(Nm)	9 ~ 11	9 ~ 11	9 ~ 11
Internal Resistance (mΩ)	5.2	4.2	3.5
Short Circuit Current(A)	1755	2173	2607
Weight(kg)	30.8	46	52