



6-SPB Series Spiral Lead-Carbon Battery



Add: Economic Development Zone, Jiangyan district, Taizhou, Jiangsu, China.
Zip: 225500
Tel: +86 523-88521888
Fax: +86 523-88521244
E-mail: office@shuangdeng.com.cn

shoto[®]



Make full use of internet platform
Big Data cloud storage
Service for customers worldwide

Shoto firmly promote green low-carbon career and always fulfill the concept of “new energy, circularity and high-tech”, to manage from the five link key aspects: design, development, green purchasing, system management, recycling, energy conservation and emissions reduction to create green model for the industry, to create a green life for human beings and store a green future for the earth.

Explore actively
To find an ever-increasing energy new world

Telecom

Becoming the core of constructing the future smart grid center;

Communication

Possess all series of energy storage solutions and provide firm green energy security;

Power

New clean and efficient power energy, to provide endless power for the social development;

Recycling

Take the lead in building circulation industry chain, make renewable energy, restore a healthy earth.

Pursue the perfection
To build up a strong
and sustainable enterprise

Shoto has owned several honors such as “National environment friendly enterprise”, “National key high-tech industry group”, “China's top 100 electronic information enterprises”, “Global 500 new energy enterprises”.

Converge global industry experts
and unite research institutes
Collaborate with customers to develop
the world's leading energy storage systems

The establishment of the Chinese Academy of Sciences in cooperation with the establishment of the Advanced Energy Development Research Center, academicians workstation, post-doctoral research station, state-level enterprise technology center have take on the 863 and other national research projects and research and develop the world forward-looking high-end new energy projects.

Main Applications

- UPS
- Communication station
- Solar energy storage
- Different standby power supply
- Frequency regulation service

Benefits

- Applicable in -45°C - +75°C
- 400 cycles at 25°C @100% DOD
- The designed float life is 15 years
- The time of high rate discharge is more than ordinary batteries

Technical Features

- With ultra-thin high purity lead frame design, a higher charge efficiency with trickle current is achieved
- With unique spiral wound design, the dehydration and bulging deformation of the battery are avoided in high-temperature
- Excellent fast charging performance, more than 95% of electricity is gained within 40 minutes
- Good battery consistency, available more strings in parallel
- Adopt the lead-carbon capacitance technology, the battery's charge acceptance is greatly improved, allowed charging current is over $2C_{10}$



The Spiral Lead-Carbon Battery is a recent development of Shoto Group. Adopt the lead-carbon capacitance technology, the electrical conductivity and the specific surface area of negative active material are improved and a continuous conductive network is established; Finally, the sulfation are significantly improved, the PSOC cycle life are greatly extended. With the unique winding structure, high assembly pressure and valve opening pressure, the battery's dehydration is greatly reduced. Compared to ordinary battery, the battery has superior high-low temperature performance and high rate discharge performance, especially the security and fast charging performance are outstanding.

The product is protected by five patents namely: 02112897.9, 03152809.0, 03221098.1, 00310112676.1, 200510040205.3

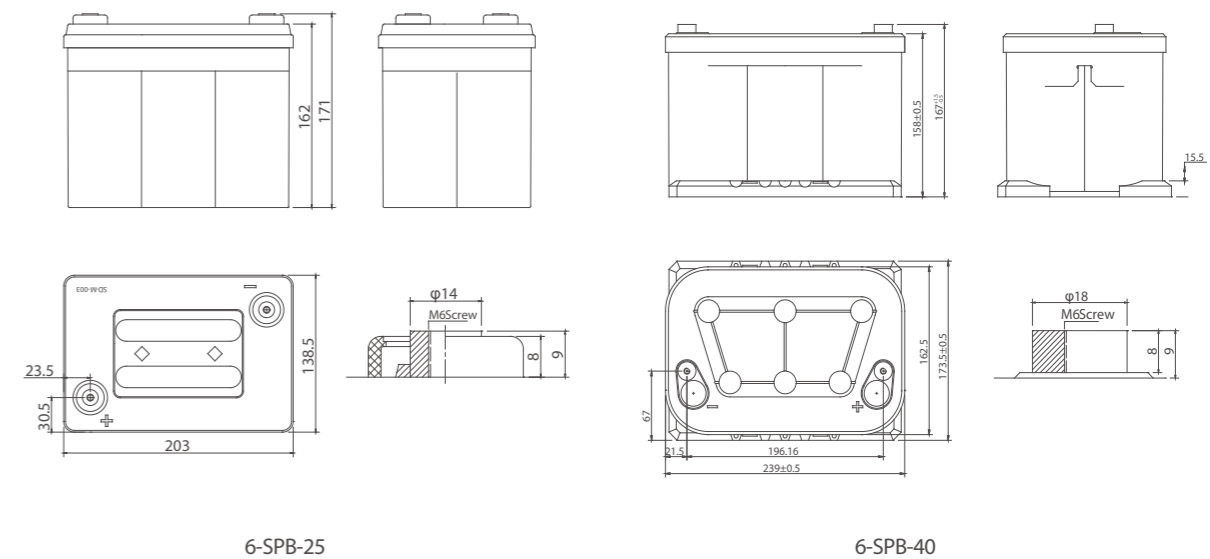
Passion for Storage
and Green Energy

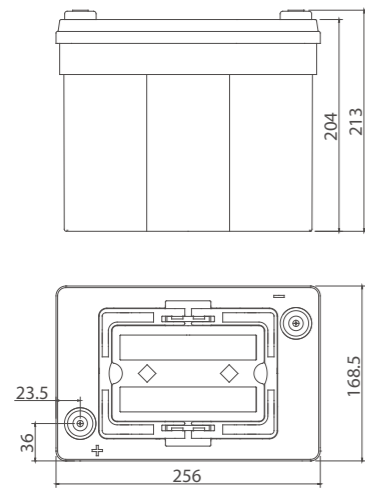
Specification



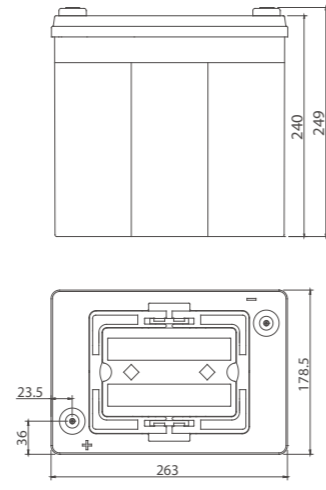
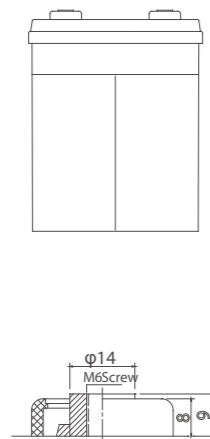
	6-SPB-25	6-SPB-40	6-SPB-50A	6-SPB-75	6-SPB-100
Nominal Voltage(V)	12	12	12	12	12
Length(mm)	203	239	256	263	302
Width(mm)	138.5	173.5	168.5	178.5	204.5
Height of Monobloc(mm)	162	158	204	240	240
Total Height(mm)	171	167	213	249	249
C_{10} (Ah, 25°C)	25	40	50	75	100
Terminal	M6	M6	M6	M6	M6
Terminal Torque(Nm)	9~11	9~11	9~11	9~11	9~11
Internal Resistance (mΩ)	4.0	3.0	2.9	2.4	2.3
Short Circuit Current(A)	1157	1855	2251	2695	2985
Weight(kg)	9	14.5	18	25	32

Drawings

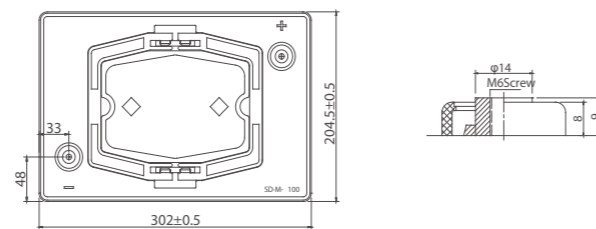
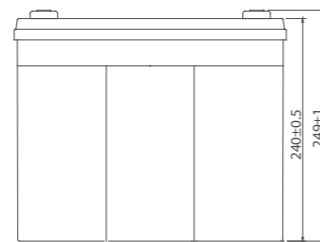




6-SPB-50A



6-SPB-75



6-SPB-100

Passion for Storage and Green Energy

Shoto, as the leading green storage integration service supplier in Big Data age, using the forward-looking energy technology to share the green earth with our customers.

